



Installation regulations

Flair 325 (Plus)
English



Air for Life

Installation regulations

Heat recovery appliance

Flair 325 (Plus)



Store near the appliance

This appliance may be used by children as of 8 years of age, persons with reduced physical or mental capacities, and persons with limited knowledge and experience if they are supervised or have received instructions on how to use the appliance safely and are aware of the possible dangers.

Children younger than 3 years of age must be kept away from the appliance, unless they are under constant supervision.

Children between the ages of 3 and 8 may only switch the appliance on or off, but only if supervised or if they have received clear instructions on the safe use of the appliance and understand the possible dangers, on the condition that the appliance has been placed and installed in the normal position for use. Children between the ages of 3 and 8 may not insert the plug into the socket, nor clean or make changes to the settings of the appliance, nor carry out any maintenance on the appliance that would normally be carried out by the user.

Children may not play with the appliance.

If you need a new power cable, always order the replacement from Brink Climate Systems B.V.. To prevent dangerous situations, a damaged mains connection must only be replaced by a qualified expert!

Country: GB



Contents

1 Delivery.	5	11.2 Connecting Air Control.	41
1.1 Delivery size.	5	11.3 Connecting humidity sensor.	42
2 General.	6	11.4 Connecting CO2 sensor(s).	43
3 Version.	7	11.5 Demand-driven ventilation 2.0.	44
3.1 Technical information.	7	12 Service.	45
3.2 Connections and dimensions.	8	12.1 Exploded view.	45
3.3 Exploded view of appliance.	10	12.2 Service articles.	46
4 Operation.	11	13 Setting values.	48
4.1 Description.	11	13.1 Setting values standard appliance.	48
4.2 Bypass.	11	13.2 Setting values appliance with Plus pcb.	51
4.3 Frost protection.	12	14 ModBus settings.	53
4.4 Plus version.	12	14.1 External ModBus - Input registers.	53
5 Installation.	13	14.2 External ModBus - Holding registers.	54
5.1 Installation general.	13	14.3 External ModBus - Remote control registers.	55
5.2 Placing the appliance.	13	15 Conformity declaration.	56
5.3 Connecting the condensate discharge.	14	16 ERP values.	57
5.4 Connecting air ducts.	15	17 Recycling.	59
5.5 Electrical connections.	16		
5.5.1 Connecting the power plug.	16		
5.5.2 Connecting the multiple switch.	16		
5.5.3 Connecting the eBus connector.	17		
5.5.4 24 volt connection.	17		
5.5.5 Connecting humidity sensor.	17		
5.5.6 BrinkBus Connection.	17		
5.5.7 Connecting "signal output" connector.	17		
5.5.8 ModBus Connection.	17		
5.5.9 Coupling appliances using BrinkBus.	18		
6 Display.	19		
6.1 General explanation of control panel.	19		
6.2 Display layout.	20		
6.3 Display information.	23		
7 Starting appliance.	24		
7.1 Switching appliance on and off.	24		
7.2 Setting the air flow.	24		
7.3 Other settings for installer.	25		
7.4 Factory settings.	25		
8 Fault.	26		
8.1 Fault analysis.	26		
8.2 Display Codes.	26		
9 Maintenance.	29		
9.1 Cleaning filter.	29		
9.2 Maintenance.	30		
10 Electrical diagram.	34		
11 Electrical connections accessories.	36		
11.1 Connecting position switch.	36		
11.1.1 Connecting position switch with filter indication.	37		
11.1.2 Connecting wireless remote control (without filter indication).	38		
11.1.3 Connecting extra multiple switch with filter indication.	39		
11.1.4 Connecting extra multiple switch with filter indication.	40		

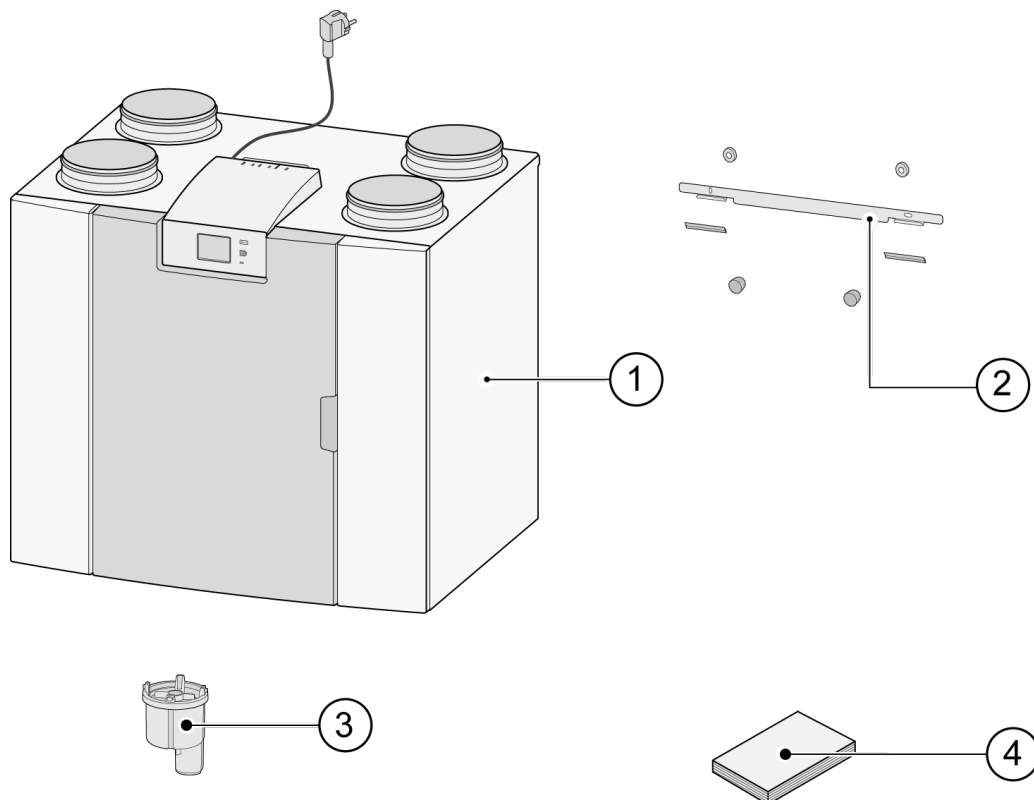
1 Delivery

1.1 Delivery size

Before installation of the heat recovery appliance is started, check that it has been supplied in complete and undamaged condition.

The delivery size of the heat recovery appliance type Flair consists of the following components:

1. Heat recovery appliance
2. Wall mounting bracket consisting of:
 - 1x mounting bracket
 - 2 x protective caps
 - 2x rubber strip
 - 2x rubber rings
3. Siphon
4. Documentation set consisting of:
 - 1x installation instructions
 - 1x occupant's instructions



2 General

The Flair W325 and the Flair W325 Plus is a ventilation unit for the balanced ventilation of dwellings with heat recovery.

Features:

- Maximum capacity 325 m³/h
- High return plastic heat exchanger
- Filters ISO Coarse 60%
- Modular electric preheater
- Automatic bypass valve
- Touchscreen
- Adjustable air quantity
- Filter indication on the appliance and the possibility of a filter indication on the multiple switch
- An intelligent frost protection including modular preheater
- Low sound level
- Constant flow control

The Flair W325 is available in two types:

- **the "Flair W325"**
- **The "Flair W325 Plus"**

The Flair W325 Plus has, compared with standard Flair W325, an extra pcb giving this more functions/connection possibilities (→ [Plus version](#) pagina 12).

These installation instructions describe both the standard Flair W325 and the Flair W325 Plus.

The Flair W325 and the Flair W325 Plus are available in **Left-hand** and **Right-hand** versions; it is not possible to convert the left and right-hand models into one another

For the correct connection ducts and dimensions (→ [Connections and dimensions](#) pagina 8).

It is possible, however, to later equip the appliance with a plus pcb.

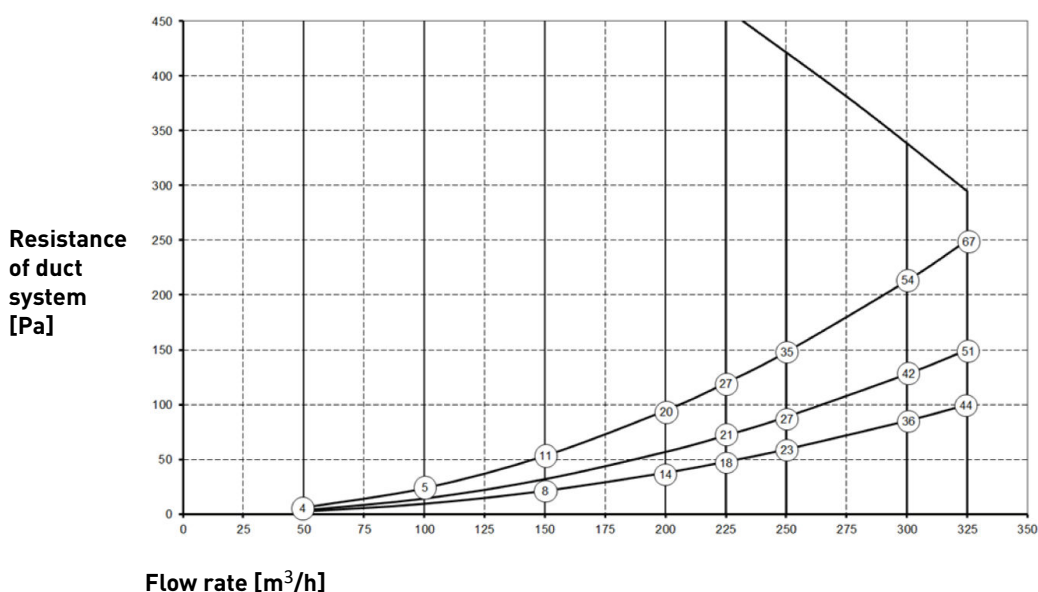
The appliance comes ready to plug in with a 230 V mains plug .

3 Version

3.1 Technical information

Flair 325 (Plus)										
Supply voltage [V/Hz]	230V/50Hz									
Dimensions (w x h x d) [mm]	750 x 650 x 560									
Duct diameter [mm]ø	ø160									
External diameter condensate discharge [mm]	ø32									
Weight [kg]	37									
Filter class	ISO Coarse 60% (ISO ePM1.0 for the air supply optional)									
Fan setting (factory setting)	0	1	2	3	max					
Factory setting [m³/h]	50	100	150	250	325					
Permissible resistance of duct system [Pa]	2	6	9	24	21	53	59	148	100	250
Rated power (excl. preheater) [W]	6.1	6.6	7.9	10.3	15.1	21.0	46.6	69.1	87.5	144.5
Rated current (excl. preheater) [A]	0.08	0.08	0.09	0.11	0.15	0.21	0.41	0.59	0.73	1.07
Max. rated current (incl. preheater switched on) [A]	6									
Cos φ	0.341	0.343	0.389	0.394	0.430	0.439	0.492	0.507	0.521	0.542
Sound power										
Ventilation capacity [m3/h]					150	200	228	250	325	
Sound power level Lw(A)	Static pressure [Pa]				25	50	50	100	100	
	Casing radiation [dB(A)]				34	40	41	46	50	
	Duct 'From dwelling' [db(A)]				40	46	48	49	54	
	Duct 'To dwelling' [db(A)]				49	55	56	61	70	

*) Duct noise including end correction
In practice the value may differ by 1dB(A) through measurement tolerances.

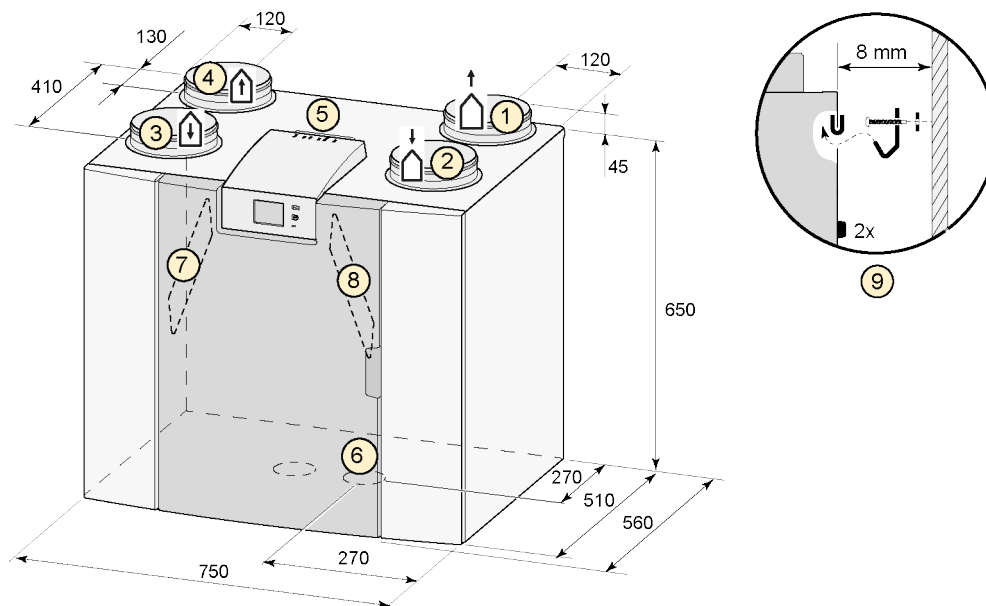


Note:
The stated value in the circle is the capacity (in Watt) per fan

3.2 Connections and dimensions

The Flair appliance is available in a left-hand and right-hand version. With a left-hand version the “warm” connections (from dwelling 4 and to dwelling 3) are on the left-hand side of the appliance; the condensate discharge is then mounted at the right-hand opening below the appliance. With a right-hand version the “warm” connections (3 & 4) are on the right-hand side of the appliance.

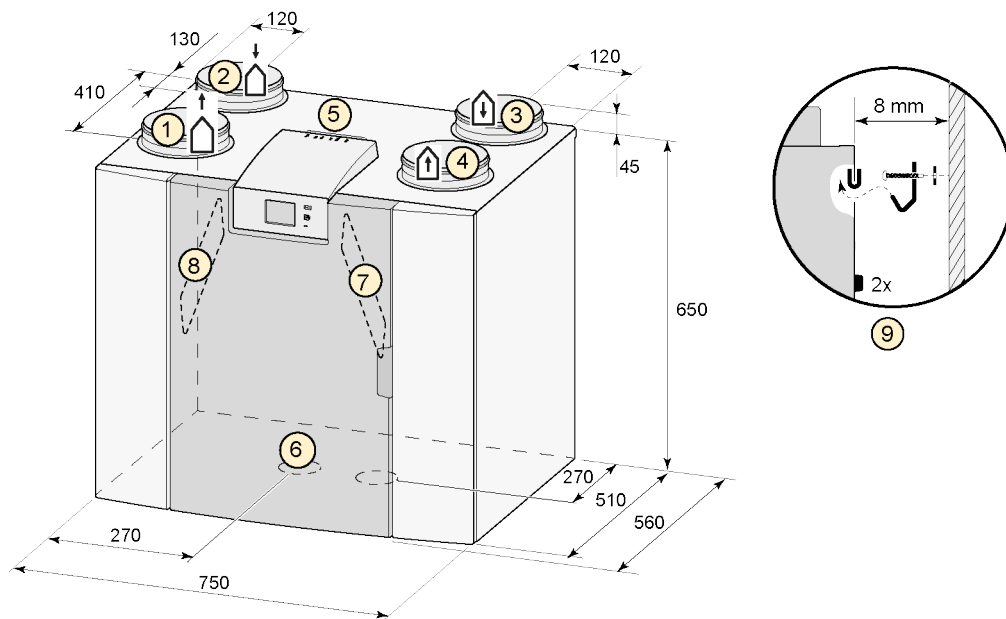
Left-hand version







All dimensions in millimeters. Diameter of all collars is 160 mm

1	To outside	↑ 🏠
2	From outside	↓ 🏠
3	To dwelling	↓ 🏠
4	From dwelling	↑ 🏠
5	Electrical connections	
6	Siphon connection	
7	Exhaust air filter	
8	Supply air filter	
9	Mounting	

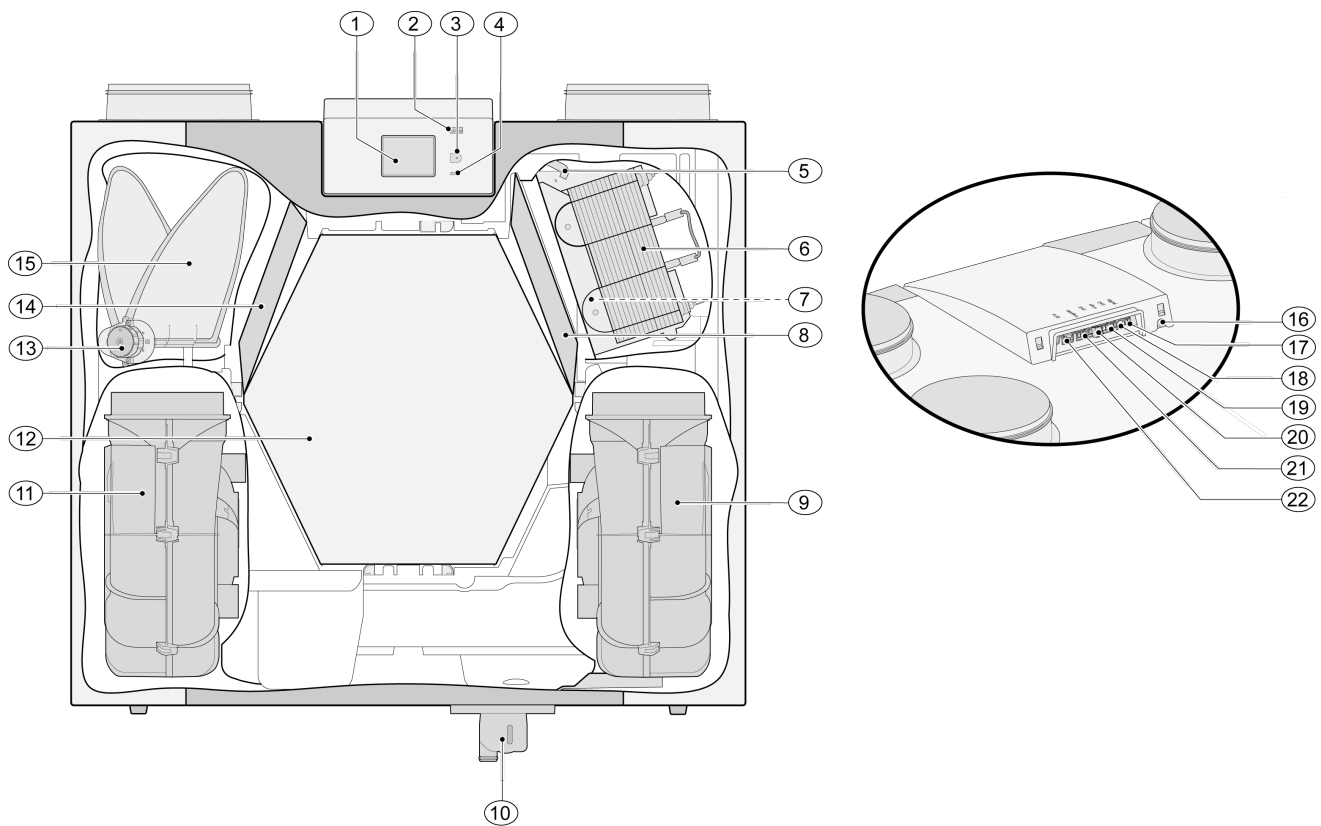
Right-hand version



All dimensions in millimeters. Diameter of all collars is 160 mm

1	To outside	
2	From outside	
3	To dwelling	
4	From dwelling	
5	Electrical connections	
6	Siphon connection	
7	Exhaust air filter	
8	Supply air filter	
9	Mounting	

3.3 Exploded view of appliance



The appliance shown above is a left-hand version: in the case of a right-hand version, the connector of the preheater, bypass valve and the siphon connector are installed in mirror image!

1	Touchscreen	12	Heat exchanger
2	USB connector (X13)	13	Motor bypass valve
3	Service connector	14	Discharge filter
4	LED indicator	15	Bypass valve
5	Maximum protection preheater	16	Power cable 230 volt
6	Preheater	17	Relay output (X19)
7	Temperature sensor	18	24 volt connector (X18)
8	Supply filter	19	eBus connector (X17)
9	Exhaust fan	20	24 volt connector (X16)
10	Siphon connector	21	Modbus/ Brinkbus connector (X15)
11	Supply ventilator	22	Multiple switch connector (X14)

4 Operation

4.1 Description

The appliance is supplied ready for plugging in and works automatically according to the standard settings. The discharged dirty indoor air warms up the fresh clean outdoor air. That saves energy while fresh air is supplied to the desired rooms.

The control system has four ventilation modes. The air flow rate can be adjusted for each ventilation mode. The constant volume control system ensures that the ventilation balance between the supply and exhaust fan is realized independent of the duct pressure.

If no external control is connected on to the appliance, then the appropriate ventilation model can be chosen on the display.

For external control a 4-way switch (→ [Connecting position switch](#) pagina 36) can, for example, be chosen, but control is also possible with the Air Control (→ [Connecting Air Control](#) pagina 41), CO₂ sensor(s) (→ [Connecting CO₂ sensor\(s\)](#) pagina 43), a humidity sensor (→ [Connecting humidity sensor](#) pagina 42), 2-zone demand control of the Brink App.

4.2 Bypass

The 100% bypass makes it possible to supply outside air, which is not heated up by the heat exchanger.

Particularly during summer nights it is desirable to supply cooler outside air. The warm air in the dwelling is then replaced as much as possible by cooler outside air.

The bypass valve opens and closes automatically when a number of conditions are met (see below table for bypass conditions).

Follow step numbers 2.1 to 2.6 in the settings menu, (→ [Setting values](#) pagina 48) in order to adjust the operation of the bypass valve.

Bypass valve preconditions

Bypass valve open	<ul style="list-style-type: none">▪ The outdoor temperature is higher than 10°C (adjustable between 7°C and 15°C at step no. 2.3) and▪ the outdoor temperature is lower than the indoor temperature of the dwelling and▪ the outdoor temperature is higher than 22°C (adjustable between 15°C and 35°C at step no. 2.2)
Bypass valve closed	<ul style="list-style-type: none">▪ The outdoor temperature is lower than 10°C (adjustable between 7°C and 15°C at step no. 2.3) or▪ the outdoor temperature is higher than the indoor temperature of the dwelling or▪ the temperature from the dwelling is lower than the set temperature at step no. 2.2 in the settings menu minus the set temperature at the hysteresis (step no. 2.4: the factory setting for this temperature is 20°C (22.0°C minus 2.0°C).

The appliance features a 'Bypass boost' function. This means that when this function is switched on (can be switched at step) 2.5) the ventilation mode with an opened bypass valve goes to maximum air flow rate (adjustable at step no. 2.6).

4.3 Frost protection

To prevent freezing of the heat exchanger at low outdoor temperatures, the appliance features frost control.

Temperature sensors measure the temperatures across the heat exchanger which is switched when required. If in the event of very low temperatures the preheater has insufficient capacity, stepless unbalance is created in the appliance.

The software 'recognizes' the appliance.

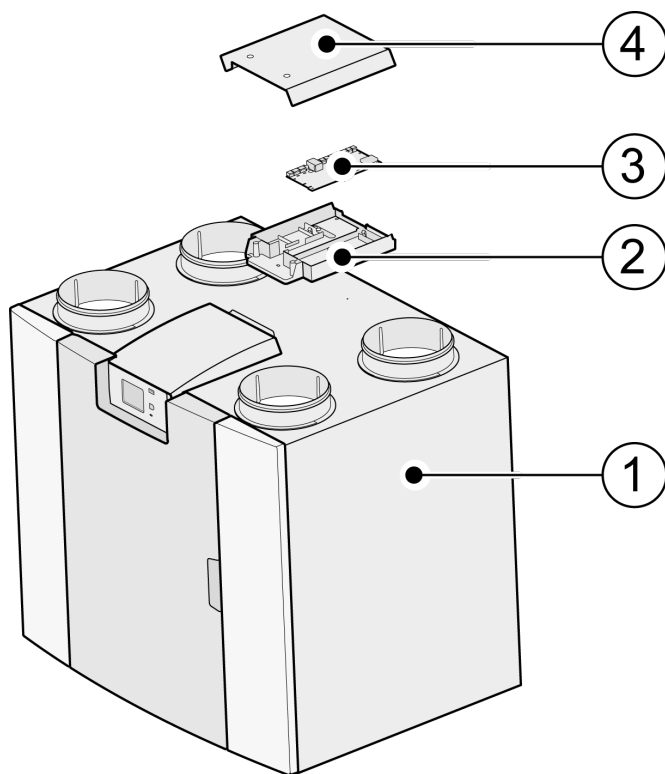
4.4 Plus version

The 'Plus' version is equipped with an extra control board with more connections for various applications.

This extra control board is located in a plastic housing behind the existing control board on top of the appliance.

It is also possible to remove the entire Plus pcb including casing from the appliance and mount it on, for example, a wall separate from the heat recovery appliance; this can be handy in certain circumstances such as a poor WiFi signal from the Plus pcb.

A standard heat recovery appliance can also later be modified into a Plus version using the Plus pcb upgrade set.



1 = Flair appliance with mounted Basic pcb

2 = Plus pcb mounting plate

3 = Plus pcb

4 = Plus pcb protective cap

5 Installation

5.1 Installation general

Installing the appliance:

1. Placing the appliance (→ [Placing the appliance](#) pagina 13)
2. Connecting the siphon and condensate discharge (→ [Connecting the condensate discharge](#) pagina 14)
3. Connecting the air ducts (→ [Connecting air ducts](#) pagina 15)
4. Electrical connections (→ [Electrical connections](#) pagina 16)

The installation and installing should meet the following requirements:

- Quality requirements of ventilation systems in homes, ISSO 61.
- Quality requirements of balanced ventilation dwellings, ISSO 62
- Regulations regarding the ventilation of homes and residential.
- Safety provisions for low-voltage installations
- The regulations for connecting indoor plumbing in homes and residential buildings.
- Any additional regulations of the local power companies
- The installation regulations of the Flair appliance.
- In addition to the above design and installation requirements and recommendations, the national building and ventilation regulations must be respected.

5.2 Placing the appliance

The Flair appliance can be mounted onto the wall with the supplied mounting bracket. For a vibration-free installation, the appliance must be mounted to a solid wall with a minimum mass of 200 kg/m². A gypsum block or metal stud wall does not suffice! Additional measures such as double panelling or extra studs are required in that case. On request, a mounting support for floor mounting (with the same minimal mass) is available.

In addition, the following aspects must be taken into account:

- The appliance must be installed in an insulated frost-free room, in order to, for example, prevent freezing of the condensate discharge
- The appliance must be placed level.
- The appliance must not be placed in a room with a high level of condensation (such as a bathroom and/or laundry room).
- In order to prevent condensation on the outside of the appliance, the installation room must be ventilated.
- The installation room must be able to provide a condensate discharge with a sufficient water seal and drop for the condensed water.
- Newly built houses with a lot of moisture from the construction work need to be ventilated in a natural manner before being put to use.
- Make sure there is a free space of at least 70 cm at the front of the appliance and a free headroom of 1.8 m.
- Make sure there is a free space of at least 25 cm above the appliance, for connecting the appliance and any necessary servicing of the circuit board.

5.3 Connecting the condensate discharge

The condensate discharge line for the Flair appliance is located in the lower panel. The condensate is discharged through the drainpipe.

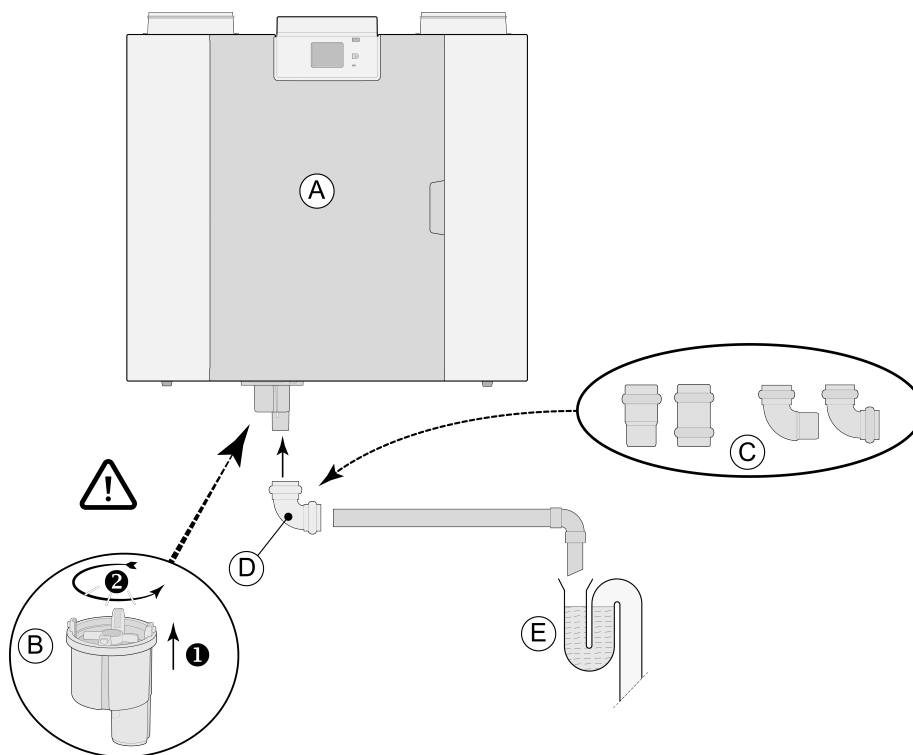
The siphon (with built-in aerator) is supplied separately with the appliance and must be fitted by the installer below the appliance (bayonet connection). The siphon has an external connection diameter of 32 mm. The siphon is connected to the inner sewer system. It is recommended to fit an odor trap between the sewer system and siphon in order to avoid unpleasant odors.

Never switch the two condensate discharge connections below the appliance,

It is recommended to use a 32 mm connection with gasket (HT DN32) (not supplied with the appliance) so that the siphon can be cleaned easily in the future.

Important: During assembly always apply a lubricant, such as acid-free vaseline, to the rubber sealing ring in the gasket. This gasket connection has to be disconnected when servicing the appliance! The siphon must not be glued to the condensate discharge line.

The condensate discharge can be connected, for example, with a straight or angled connection with gasket. Slide the condensate discharge connection with gasket with sufficient length across the connection of the siphon.



A = Flair 325 (Plus) right-hand version

B = Fitting siphon below in Flair appliance

C = Examples with condensate discharge connections with gasket HT DN32

D = Detachable connection

E = Example of odor trap

5.4 Connecting air ducts

All air ducts must be installed airtight. The collars on the Flair appliance are provided as standard with sealing rings.

In order to prevent condensation on the outside of the outdoor air supply duct and the air exhaust duct from the Flair appliance, these ducts have to be provided with an external vapor barrier as far as the appliance. If thermally insulated piping is used here, additional insulation is not necessary.

For compliance with the maximum installation noise level of 30 dB(A), it will have to be assessed for every installation what measures will be required to limit the noise. In order to optimally dampen the noise of the fans from and to the dwelling through the duct, at least mufflers of no less than 1 m are required, but additional measures may be necessary.

Prevent crosstalk through the air supply and discharge ducts by using separate branches to the diffusers. If necessary, the supply ducts must be insulated, for instance when they are installed outside the insulated envelope.

The outside air supply should be arranged from the shadowed side of the dwelling, preferably from the wall or an overhang.

The discharge duct must be fed through the roof boarding in such a way that no condensation forms in the roof boarding.

The discharge duct between the Flair appliance and the roof sleeve should be such that surface condensation is prevented.

Always use an insulated ventilation roof sleeve.

In order to keep the noise levels down, it is recommended to restrict the external duct pressure to 100 Pa. If the resistance of the duct system is higher than the maximum curve of the ventilator, the maximum ventilation capacity will be lower.

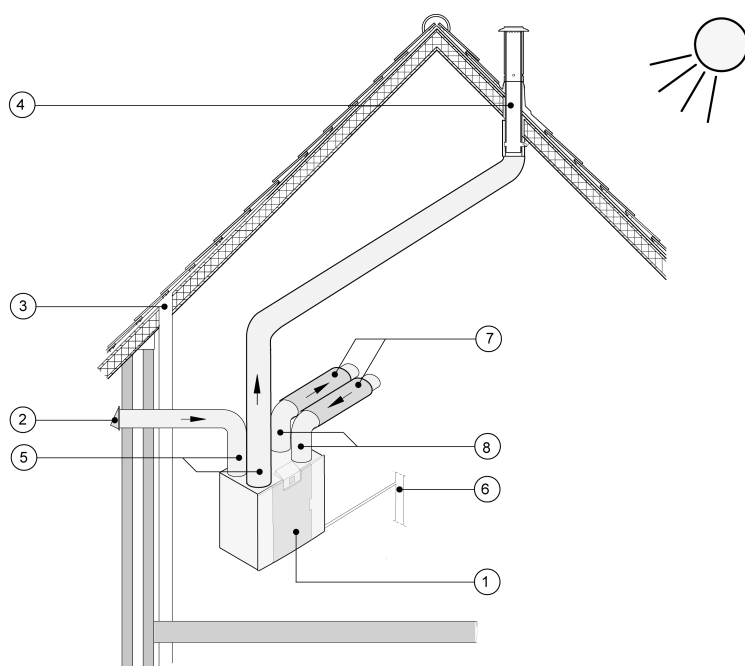
The air speeds must be limited to a max. of 5 m/s in the main ducts and 3.5 m/s in the branches.

The location of the discharge of the mechanical ventilation air and the sewer stack vent must be chosen to prevent noise nuisance.

The location of the input valves must be chosen in such a way to prevent fouling and drafts. We recommend using Brink Climate Systems B.V. input valves.

When using flexible mufflers, account must be taken during the installation that these may need to be replaced after a period of time.

Install sufficient overflow openings, door gap 2 cm.

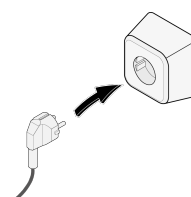


- 1 = Flair 325 (Plus) right-hand version (place level)
- 2 = Preferred ventilation air supply
- 3 = Sewer release
- 4 = Preferred location of ventilation air discharge; Use Brink Climate Systems B.V. insulated ventilation roof sleeve
- 5 = Thermally insulated piping
- 6 = Condensate discharge
- 7 = Sound absorber(s)
- 8 = Duct to and from house

5.5 Electrical connections

5.5.1 Connecting the power plug

The appliance can be connected to an easily accessible, earthed wall socket with the plug that is mounted to the appliance. The electric installation must comply with the requirements of your power company.



5.5.2 Connecting the multiple switch

The multiple switch (not supplied with the appliance) is connected to the modular connector type RJ12 (connector X14) that is placed on the rear of the display cap of the appliance (→ [Exploded view of appliance](#) pagina 10).

For connection examples of multiple switch (→ [Connecting position switch](#) pagina 36). A wireless remote control (→ [Connecting wireless remote control \(without filter indication\)](#) pagina 38) and a combination of multiple switches is also possible (→ [Connecting extra multiple switch with filter indication](#) pagina 39).

The 4-way switch can also be used to activate a 30-minutes boost mode by putting the switch to setting 3 for less than 2 seconds and directly turning it back to setting 1 or 2. The boost mode can be reset by putting the switch to setting 3 for longer than 2 seconds or by switching it to absence mode (☞).

There is the option of Brink demand-driven ventilation 2.0 (clock-driven or CO₂-driven) (→ [Demand-driven ventilation 2.0](#) pagina 44).

5.5.3 Connecting the eBus connector

For connecting an eBus connector, the 2-pole detachable (green) connector X17 is located at the rear of the display cap (→ [Exploded view of appliance](#) pagina 10).

The eBus protocol may for instance be used to connect the Air Control (→ [Connecting Air Control](#) pagina 41). Because of polarity sensitivity, always connect contacts correctly; the appliance will not work if these contacts have been interchanged!

The optional CO₂ sensor(s) or an extra eBus preheater or postheater (→ [Electrical diagram](#) pagina 34) can also be connected onto the eBus connector.

5.5.4 24 volt connection

On the X16 & X18 connector of the basic pcb, 24 volt is available.

Connector X-16 is for 24 volt connection of the optional Plus pcb.

For position connection (black) connector X16 & X18 (→ [Electrical diagram](#) pagina 34).

Maximum current reduction at plug X16 and X18 is 5 VA per connection.

5.5.5 Connecting humidity sensor

The optional humidity sensor has to be connected onto the the X07 connection of the basic pcb. For this, use the cable supplied with the humidity sensor. In order to connect the humidity sensor, the plastic cover above the control has to be taken off, after which the X07 connection is accessible.

For connecting the humidity sensor, see → [Connecting humidity sensor](#) pagina 42.

5.5.6 BrinkBus Connection

The Modbus/ Brinkbus (red) connector X15 can for example be used for coupling appliances (→ [Coupling appliances using BrinkBus](#) pagina 18).

The function of this connector can be adjusted using step number 14.1 to 14.4 in the settings menu.

If the appliance is fitted with a Print pcb, then this red connector X15 is also in use for connecting the Plus pcb; several cables then have to be connected onto this connector X15.

5.5.7 Connecting "signal output" connector

The blue 2-pole screw connector X19. This connection is used to give a filter message or fault message.

If a filter or fault message is given in the appliance a contact is closed at connection X19. The operation of this is set by following step number 16.1.

5.5.8 ModBus Connection

The appliance can be connected with a ModBus system such as a building management system.

Using the (red) 3-pole connector X15 (or with the Plus version the red connector X06 on the UWA2-E pcb) a connection can be made between the appliance and the ModBus system; (→ [Electrical diagram](#) pagina 34) for the right connection.

For the correct setting of the jumpers X12, X121 & X122 see the explanation given with electrical diagram (→ [Electrical diagram](#) pagina 34); for the correct modBus settings see (→ [ModBus settings](#) pagina 53)!

Note: When ModBus is active, the ventilation mode cannot be changed using the display or, if applicable, the connected multiple switch! Also any connected humidity sensor will not function.

5.5.9 Coupling appliances using BrinkBus

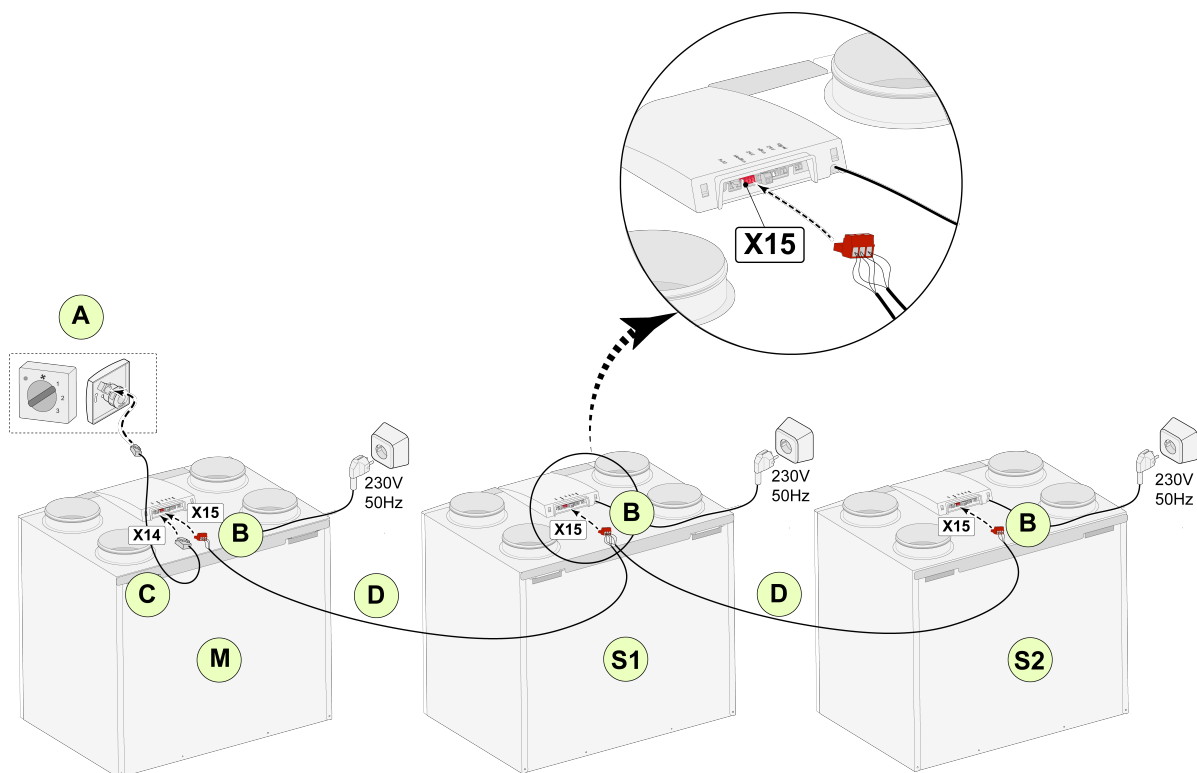


Important

Because of polarity sensitivity, always connect the BrinkBus contacts X15-1 with one another, and the contacts X15-2 and the contacts X15-3 with one another. Never connect X15-1, X15-2 or X15-3 with one another!

Comment: If a Plus pcb has been installed; several cables would have to be connected onto the X-15 connector.

Note: When the total length of the BrinkBus cables is longer than 10 m, then use a twisted-pair cable (a twisted pair cable is also preferred with shorter lengths)!



For M (master):

Step no. 8.1 - Master
Step no. 14.1 - BrinkBus

For S1 (Slave 1):

Step no. 8.1 - Slave
Step no. 14.1 - BrinkBus

For S2 (Slave 2):

Step no. 8.1 - Slave
Step no. 14.1 - BrinkBus

- A = Multiple switch
- B = 3-pole connector red
- C = Modular cable
- D = 3-core low voltage cable
- M = Master appliance
- S1 / S2 = Slave appliances; connect maximum of 10 appliances via BrinkBus

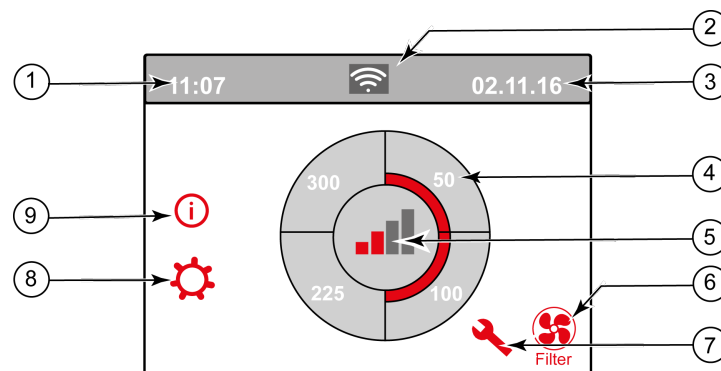
All Flair325 (Plus) appliances have the same air flow rate as the appliance that is set as "Master".
The fault messages of **all** appliances are shown on the display of the master appliance.
When using a Brink Air Control or the Brink Home, always connect this to the Master.

6 Display

6.1 General explanation of control panel

A display with touchscreen is located at the front of the appliance. This display is used to operate the appliance and to provide the user with information about the status of the appliance. When the mains powers is switched on, the software version is first shown; the main screen is then displayed.

Main screen



1 = Current time

2 = Info connections (only displayed if applicable)

3 = Current date

4 = Set ventilation flow rate; the red boxes indicate the selected ventilation flow rate.

In this example the active ventilation flow rate is 100 m³/h

5 = Active control

6 = Filter message (only displayed if applicable)*


7 = Fault (only displayed if applicable)*

8 = Access to settings menu

9 = Access to information menu

* Filter message and fault message are located in the same place on the display; fault display has a higher priority, and so will always be shown first even when there is an active filter message!

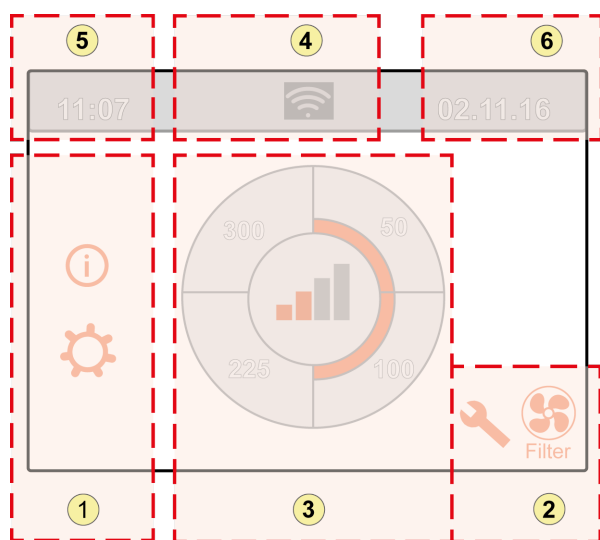
The factory setting of the menu is English. When the appliance is switched on for the first time, you are always first asked to set the desired language, correct time and correct date!

The desired settings can also be modified at a later date in the settings menu ; for this, please refer to the settings value table (→ [Setting values](#) pagina 48) step number 15.1 to step number 15.8.

6.2 Display layout

The screen is divided up into 6 zones where various symbols/displays can be shown per zone.





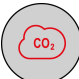






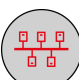

Layout of main screen






- 1 = Navigation screen
- 2 = Notification screen
- 3 = Screen with main function
- 4 = Connectivity information
- 5 = Time
- 6 = Date

The various symbols can be shown on the display. This depends on the screen that is shown, the version of the appliance and any connected accessories.

Zone no.	Symbol on display	Description
1		By pressing here you get access to the information menu; here one can only read out values. It is not possible to change these values.
		By pressing here you get access to the settings menu. In this menu you can change the various values. For all setting values of standard appliance (→ Setting values standard appliance pagina 48) The Plus version of the appliance has various setting values (→ Setting values appliance with Plus pcb pagina 51) Let op: Incorrect settings can disrupt the operation of the appliance!
		Use these arrows to go up or down the various menus or to increase or decrease the values of the relevant settings.
		This arrow takes you back one step in the menu.
		This takes you back to the main screen.
2		Filter message symbol; this is only shown if the filter has to be cleaned or replaced. See chapter "Filter cleaning" (→ Cleaning filter pagina 29) for more information.
		This symbol is only shown if a fault has occurred in the appliance; see chapter Faults (→ Fault analysis pagina 26) for more information.



Zone no.	Symbol on display	Description
3		Control using multiple switch/ Brink Air-Control or Brink Home.
		Control using touchscreen on appliance; this setting is active for half an hour.
		Control using touchscreen on appliance; touchscreen is permanently set as multiple switch by setting step number 15.8 to "yes".
		Control using humidity sensor.
		Control using CO ₂ sensor.
		Control using demand-driven ventilation.
		Break contact active.
		Make contact active.
		This appliance is set as Master appliance if a number of appliances are connected (cascade)
		Appliance is set as Slave appliance; maximum of 9 appliances can be connected to a Master.
		Control via eBus.
		Control via ModBus or BrinkBus.
		Bypass boost is active.

Zone no.	Symbol on display	Description
4		Internet connection
		Signal strength
		USB connection active.
5	11:07	Current time.
6	02.11.17	Current date.

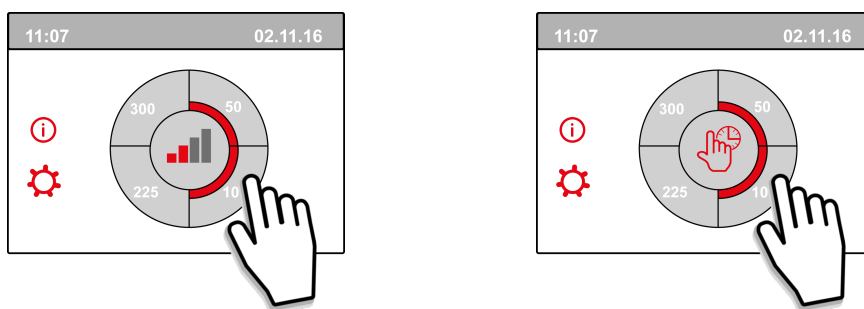
6.3 Display information

When no keys are operated or when no deviating situation has developed (such as fault message or filter message) then the light will go out two minutes after the last key has been operated.

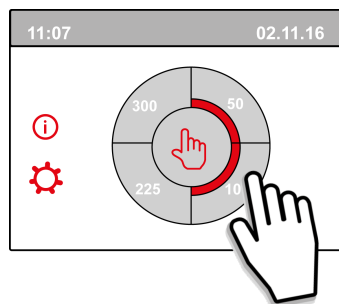
When there is a filter message or a fault in the appliance, then the light of the display will be on permanently until the fault has been solved or the filter message has been reset.

Pressing the Home button  brings you back to the main screen from any particular menu; pressing the return button  takes you back 1 step in the menu.

Briefly press the display (shorter than 5 seconds) to switch on the display backlight without changing anything in the menu; the display lights up for 2 minutes.



By pressing one of the quarter circles on the main screen, the ventilation mode can be quickly adjusted. The ventilation mode that has been set in this way remains active for half an hour; this is visible on the display by a hand with a clock.



The touchscreen can also be permanently set as multiple switch; to do this step number 15.6 in the settings menu has to be set to "yes".



Warning:

Incorrect settings can seriously disrupt the proper functioning of the appliance!

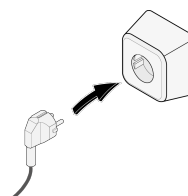
7 Starting appliance

7.1 Switching appliance on and off

Switching on:

▪ Switching on the mains power:

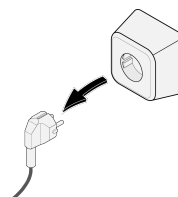
1. Connect the 230 V power plug to the electric system.
2. During the startup of the appliance, the version of the software is displayed. If the appliance has been without power for a long time (more than approx. 1 week), you will first be asked to enter the correct language, time and date.
3. The appliance will then operate immediately after this according to the mode of the multiple switch. If no multiple switch is connected then the appliance operates always in mode 1.



Switching off:

▪ Switching off mains power:

1. Pull the 230 V power plug from the electric system; the appliance is now free of voltage.
2. Nothing is now shown on the display.




Warning!

When working on the appliance, always first take the voltage from the appliance by pulling the power plug.

7.2 Setting the air flow

Good ventilation contributes to healthy air in the home, optimal comfort and the proper functioning of the installation.

The air flows of the appliance have been set in the factory as follows 50, 100, 150 and 250 m³/h. The performance and the energy consumption of the appliance depend on the pressure drop in the duct system, as well as on the filter resistance. If these conditions are not complied with, the air flow rate of the higher mode will automatically be adjusted.

Changes can be carried out in the settings menu .

Go in the settings menu to steps 1.2 to 1.4 to adjust the air flow.

Please note!


The highest demanded ventilation mode has priority. If the multiple switch is set to mode 3, then the ventilation mode cannot be adjusted to a lower mode on the main screen.

An exception to this is ventilator mode 1. If mode 1 is chosen on the display: control from other switches, sensors, etc. is not possible.

For connected CO₂ sensors the air flow will be steplessly controlled between mode 1 and 3 depending on the measured PPM values: for a connected humidity sensor the air flow will be switched to mode 3 when this is switched on.

7.3 Other settings for installer

In addition to the air flow, it is also possible to change other settings of the appliance; for an overview of these settings of a standard appliance (→ [Setting values standard appliance](#) pagina 48) and appliance with Plus pcb (→ [Setting values appliance with Plus pcb](#) pagina 51).

Changes can be carried out in the settings menu .



Warning:

As changes in the settings menu can disrupt the proper functioning of the appliance, changes of settings not described here require consultation with Brink Climate Systems B.V..


Incorrect settings may seriously affect the proper performance of the appliance!

7.4 Factory settings

It is possible to simultaneously revert all the changed settings back to the factory settings.

All changed settings are then back to the values they had when they left the factory; all message and fault codes are also deleted from the service menu.

The filter message, however, is not reset!

For returning to factory settings, open the settings menu. .

Under appliance settings, the appliance can be returned to factory settings through step number 15.8.

8 Fault

8.1 Fault analysis

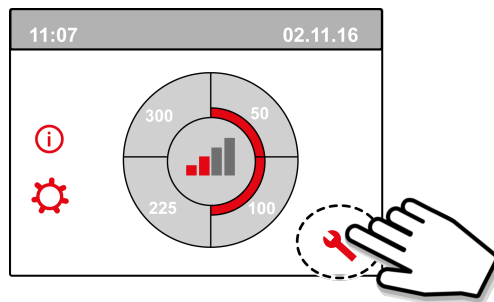
When the appliance's control system detects a fault, this is indicated on the display by a spanner symbol, possibly also with a fault number .

The appliance makes a distinction between a fault at which the appliance keeps running (limitedly) and a serious (locking) fault for which both fans are switched off.

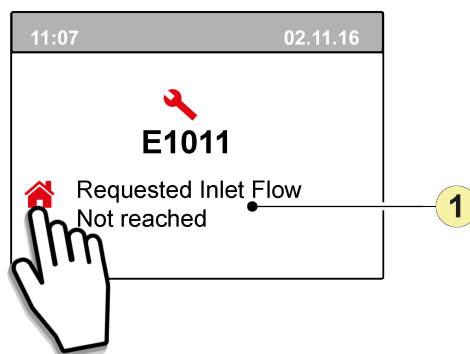
8.2 Display Codes

Non-locking fault

When the appliance detects a non-locking fault, it will keep running (limitedly). The main screen shows the fault symbol. Press the fault symbol for an explanation/solution to the fault.



The screen can be left by pressing the "Home" button.
If a fault cannot be solved, please contact the installer.

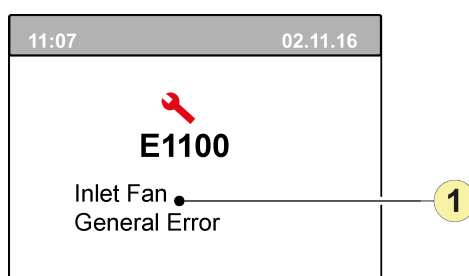


1 = Requested supply flow rate is not achieved

Locking fault

When the appliance detects a locking fault, it will no longer work. With a locking fault the settings and information menu are also switched off.

The (permanently lighted) display shows the fault symbol (spanner) together with a fault code. The red LED on the multiple switch (if applicable) will be blinking. The appliance remains in this fault mode until the problem in question has been solved. Then the appliance will reset itself (Auto reset) and the display returns to the display of the operating situation. Contact the installer to remedy this fault.



1 = Supply fan defective

A locking fault cannot be remedied by taking the voltage from the appliance; first the fault has to be solved.



Warning!
When working on the appliance, always first take the voltage from the appliance by pulling the power plug.

In the below table the locking faults are marked with an * after the fault number.

The display shows a brief explanation of this fault code.

If there is reference to the "Standby" mode of the appliance, then both fans are still but there is still something shown on the display of the appliance.


Fault code	Cause	Appliance action	User action
E1000	Self-test not good	No action	
E1001 *	Flash memory faulty	Stop appliance if possible	Replace basic pcb UWA2-B
E1002	EEPROM memory defective	Appliance goes to factory setting; fan setting 2	Replace basic pcb UWA2-B
E1011	Requested supply flow rate is not achieved	None	Clean or replace filters Check that ducts are not blocked
E1012	Requested exhaust flow rate is not achieved	None	Clean or replace filters Check that ducts are not blocked
E1013 *	Temperature of outside air too high	Appliance goes to standby	Depending on the situation: In the event of warm weather and a supply directly below the tiles, wait until the air has cooled or install a roof sleeve instead of duct under the tiles In the event of cold weather or when there is no air from below the tiles, take the voltage from the appliance and replace air temperature sensor (NTC)
E1100 *	Supply fan defective; general message	Appliance goes to standby	Replace supply fan Fault is reset automatically when voltage is put back on appliance.
E1120 *	Exhaust fan defective; general fault message	Appliance goes to standby	Replace exhaust fan Fault is reset automatically when voltage is put back on appliance.
E1200	Bypass defective; general fault message	None	Check wiring Replace bypass or wiring harness
E1300 *	Sensor NTC1 defective; general fault	Appliance goes to standby	Check wiring Replace NTC sensor or replace wiring
E1400	RHT sensor 1 defective; general message	No humidity control	Check wiring Replace RHT sensor or replace wiring
E1500	Multiple switch defective; general fault	Appliance goes to mode 1	Replace multiple switch

Fault code	Cause	Appliance action	User action
E1600	Preheater defective; general fault message	Frost protection goes to imbalance mode	Check fuses 2) Check wiring; replace if damaged and replace otherwise the internal preheater Fault is automatically reset when the voltage is put back on the appliance.
E1700	External postheater or fuse defective; general fault message	No postheater / comfort control responds differently	Uncouple postheater and check postheater fuse; replace fuse if defective Has the fault not yet been remedied: Replace external postheater Put voltage back on appliance Fault has automatically been reset
E1800	Relay output 1 defective; general fault	Signal output not available	Take voltage from appliance Replace UWA2-B pcb Fault is automatically reset when voltage is again put back on appliance.
E2000	Touchscreen fault; general fault message	Fault codes only visible when using service tool	Check wiring to touchscreen; replace wiring if damaged; replace touchscreen if fault still occurs replace UWA2-B Fault is automatically reset when voltage is again put back on appliance
E2100	EBus fault; general fault message	Brink Air Control and other accessories connected to eBus do not work. Appliance is working	Check wiring to accessories/ Brink Air Control Check accessories/Brink Air Control and replace if defective If there is still a fault after this: Take voltage from appliance and replace basic pcb UWA2-B
E2200	BrinkBus general fault message	Brink Air Control and other accessories do not work. Appliance is working	Check wiring to accessories/ Brink Air Control Check accessories/ Brink Air Control and replace if defective If there is still a fault after this: Take voltage from appliance and replace basic pcb UWA2-B
E2300	Internal ModBus fault; general fault message	Appliance goes to standby	Check wiring and connections to UWA2-B and the fans Replace cable harness if damaged; Then exchange UWA2B, exhaust fan and supply fan
E2400	External ModBus fault; general fault message	Operation via Modbus does not work	Check cabling of accessories; replace if damaged Check accessories; replace if defective If fault still occurs: Take voltage from appliance and replace UWA2-B basic pcb
E2500	USB port general fault message	USB interface not usable	Replace USB accessory If the fault is not remedied after this: take the voltage from the appliance and replace UWA2-B basic pcb

9 Maintenance

9.1 Cleaning filter

The maintenance for the user is limited to the periodic cleaning or replacement of the filters.


The filter only has to be cleaned if this is indicated on the display (the filter symbol is shown here)  or, if a multiple switch with filter indication has been installed and the red LED of the switch is on.

The filters should be replaced each year.

After the filter has been cleaned 3 times, it must be replaced by the 4th time.


The appliance must never be used without filters.

Cleaning and replacing the filters:


Press the filter symbol  for longer than 3 seconds to open the filter wizard.



Now follow the instructions that appear on the display to clean and/or replace the filter.



This filter wizard cannot be interrupted.

When all the instructions on the menu have been followed and confirmed, then the filter wizard is closed by pressing  the "Home" button and the display then returns to the main screen; the filter message is reset and the filter message now disappears.

Comment:

If the filter wizard is opened in order to replace the filter whilst there is no filter message on the display screen, go in the settings menu  to step number 4.2 to open the filter wizard. Now follow the instructions on the display, and once finished the timer of the filter message is reset.

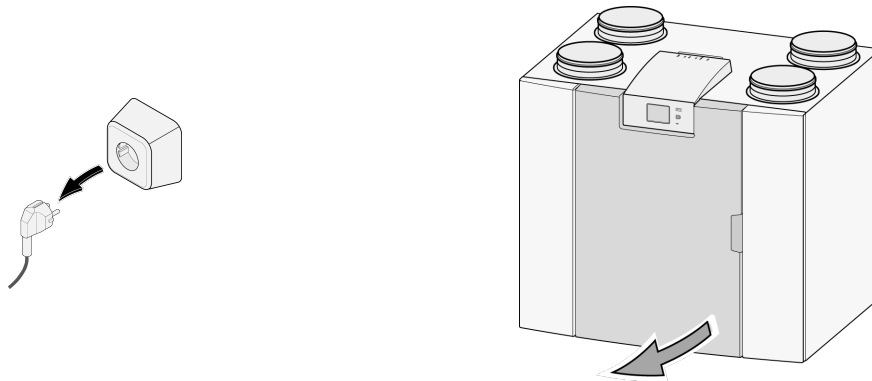
It is also possible to go in the settings menu using step number 4.3 to reset the filter directly without opening the filter wizard; if "Yes" is chosen then in the settings menu this step number has to be left again by pressing "Home" button  or the "return" button . The timer of the filter message is then reset!

Pressing the Home button  brings you back to the main screen from any particular menu; pressing the return button  takes you back 1 step in the menu.

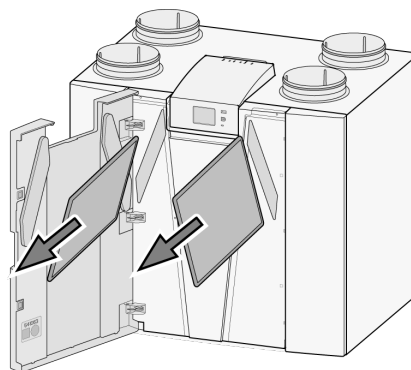
9.2 Maintenance

Installer maintenance includes cleaning the heat exchanger and fans. Dependent on the conditions, this must be done about once every three years.

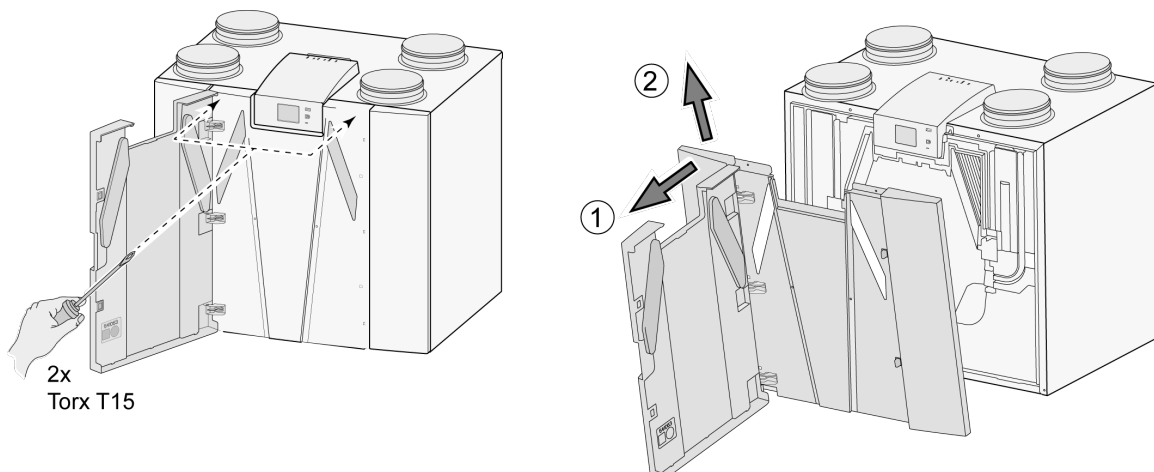
- 1 Remove the power supply by pulling out the plug.
Open the filter door.



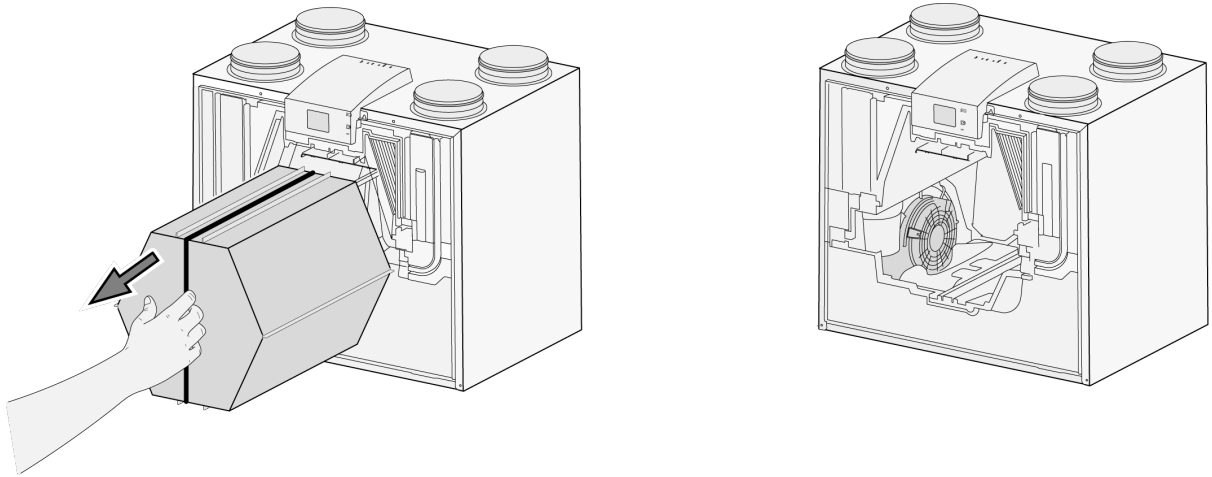
- 2 Remove the two filters.



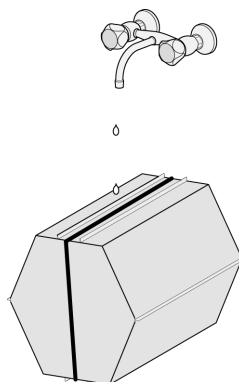
- 3 Remove the front cover.



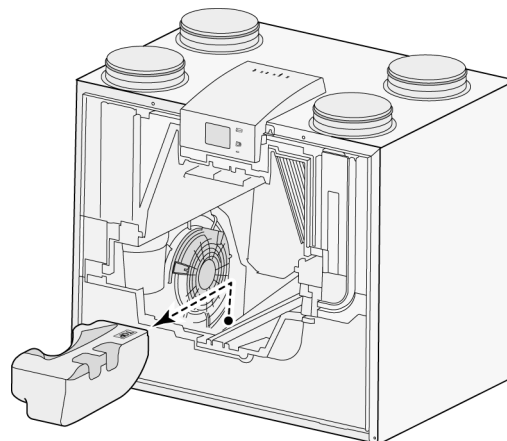
- 4 Remove the heat exchanger. Be careful not to damage the foam parts in the appliance.



- 5 Wash the heat exchanger with hot water (max. 45°C) and a regular detergent. Then rinse the exchanger with hot water.

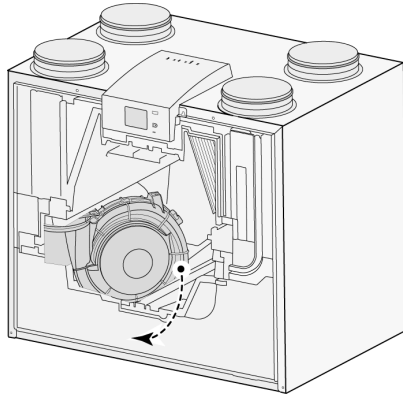


- 6 Take EPS assembly, with which the fan is inserted into the appliance, out of the appliance.



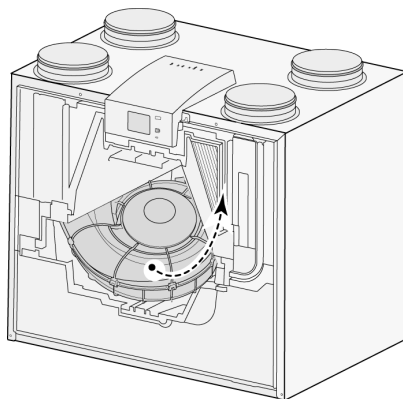
7

Turn the fan a quarter of a revolution in the appliance.



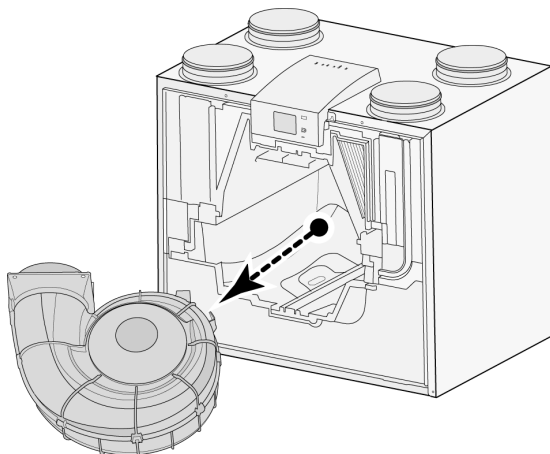
8

Tilt the fan in such a way that this can be taken out of the EPS assembly; disconnect both fan cables from the fan.



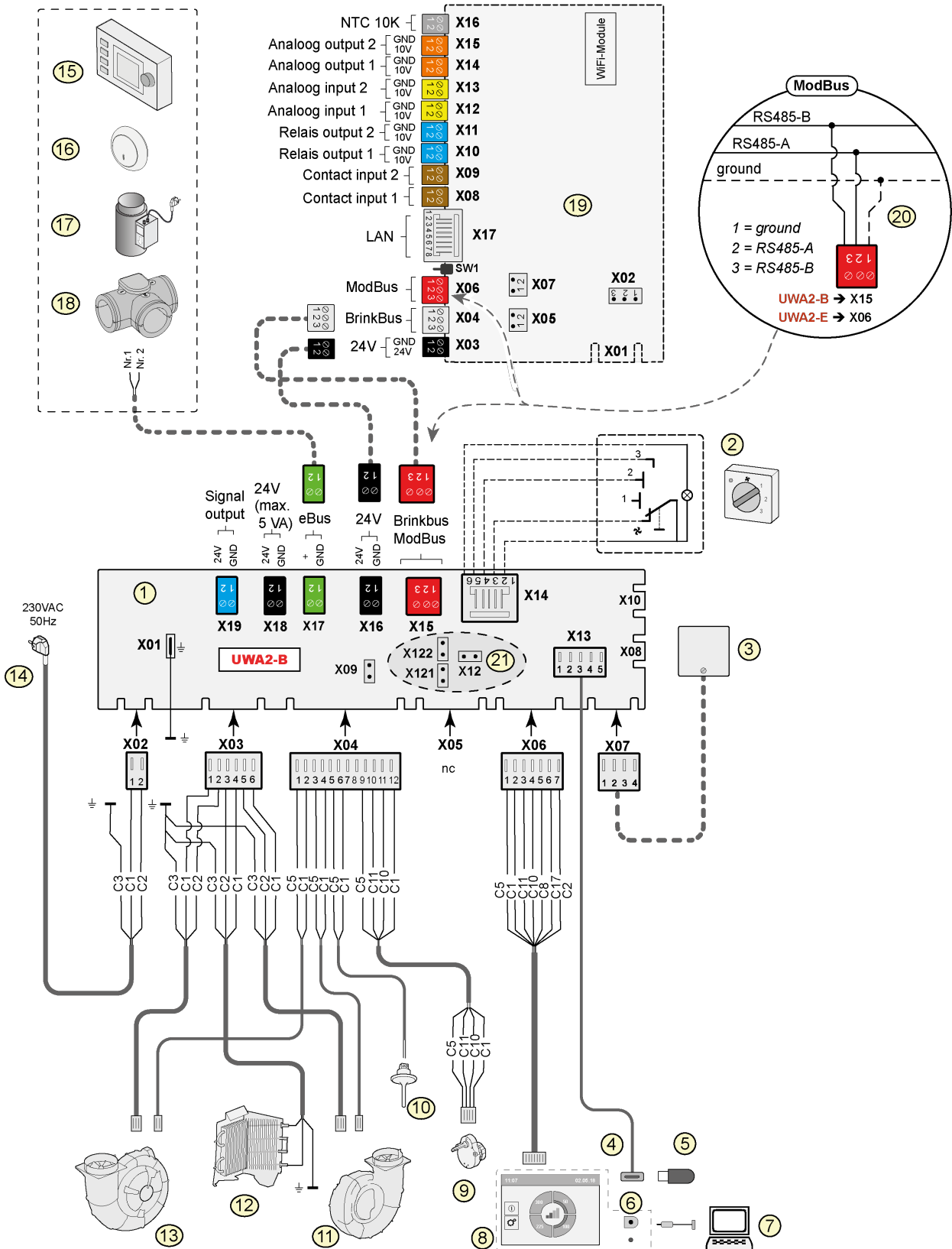
9

Now take the fan out of the appliance.



- 10 Repeat steps 6 to 9 for the other fan in the appliance.
- 11 Carefully clean both fans with a soft brush; do not use any water or cleaning agent.
- 12 Place both fans back in the appliance and connect the disconnected fan cables once more; when doing so, take care that the fan cables are "behind" the fans and that the fans are returned to their original position. The left fan is indicated by "Left"; the right fans is indicted by "Right".
Comment: Do not change the position of the fans!!!
- 13 Slide the cleaned heat exchanger carefully back into the appliance; when doing so, take care that the EPS parts and rails in the appliance are not damaged, which could otherwise leads to internal leaks in the appliance. Take care when returning the heat exchanger that the text on the type plate is not upside down! Place the heat exchanger back such that this type plate is visible.
- 14 Put the front cover back on and screw it secure.
- 15 Install two new filters and close the front cover.
- 16 Reconnect the 230V power supply to the appliance.
- 17 Reset the timer of the filter message by setting the timer back to zero in the settings menu at step number 4.3.
- 18 After resetting the timer of the filter message the appliance returns to the main menu and the appliance is once again ready for use.

10 Electrical diagram



Flair 325 (Plus) 615674-B

- 1 = Basic pcb UWA2-B
- 2 = Multiple switch (option)
- 3 = Humidity sensor (option)
- 4 = USB connector
- 5 = USB stick for updating software (not supplied with appliance)
- 6 = Service connector
- 7 = Laptop with installed Brink service tool (not supplied)
- 8 = Touchscreen on appliance
- 9 = Valve motor bypass valve
- 10 = Air temperature sensor
- 11 = Exhaust fan*
- 12 = Internal preheater incl. maximum security
- 13 = Supply fan *
- 14 = Power supply 230V 50Hz
- 15 = Brink Air Control (option)
- 16 = CO₂ sensor eBus (option)
- 17 = Heater eBus (option)
- 18 = Zone valve demand-driven ventilation 2.0 (option)
- 19 = Plus pcb UWA2-E (option)
- 20 = Connection on ModBus system (option)
- 21 = X12 is Jumper terminating resistance (120 Ω) ModBus; (remove if terminating resistance has already been placed in ModBus system)
With Modbus application remove the jumpers X121 & X122; when using BrinkBus place the jumpers X12, X121 & X122 .

*

The control cables of the fans can be switched with no problem; when the power is switched on the appliance determines itself which is the supply and exhaust fan! When the appliance detects another fan (for example when a fan is replaced during service activities), then a "wizard" starts up automatically; follow the instructions on the display for the correct connection of the fan cables.

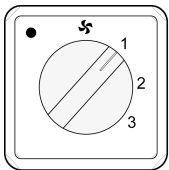
- C1 = brown
- C2 = blue
- C3 = green/yellow
- C5 = white
- C8 = grey
- C10 = yellow
- C11 = green
- C17 = purple

Comment: Comment:On the Basic pcb UWA2-B a sticker is affixed with settings of dip switches; if during servicing the basic pcb without dip switches that were installed at the factory are replaced by a service pcb with dip switches, the dip switch settings stated on this sticker must be copied onto this service pcb.

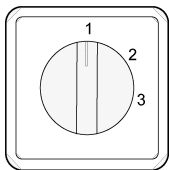
11 Electrical connections accessories

11.1 Connecting position switch

A multiple switch must be connected to the modular connector type X14. This modular connector X14 is accessible from the rear of the control. With an appliance with Plus pcb the cover first has to be removed in order to gain access to this modular connector (→ [Plus version](#) pagina 12). Depending on the type of multiple switch that is connected, one can use either an RJ11 or RJ12 plug.

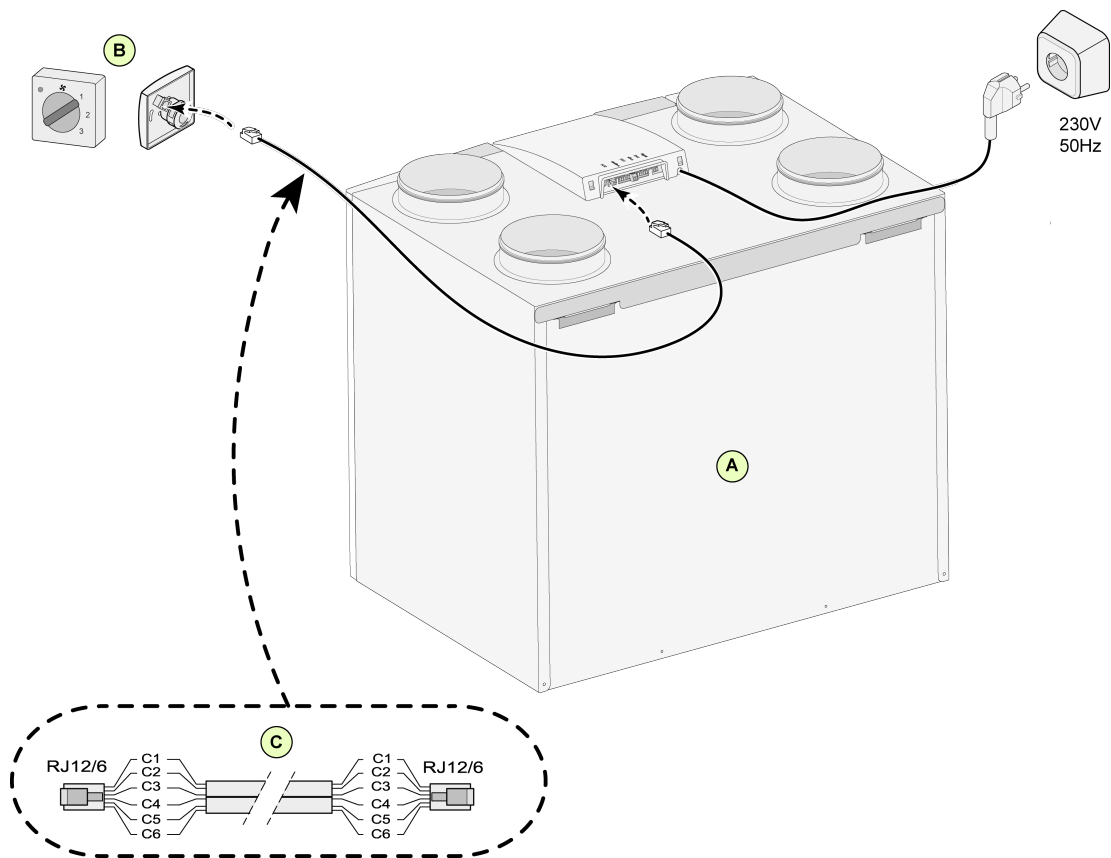


It is best to use a 4-way switch with filter indication; always install an RJ12 connector in combination with a 6-core modular cable.



When using a 3-way switch without filter indication always install an RJ11 connector in combination with a 4-core modular cable.

11.1.1 Connecting position switch with filter indication

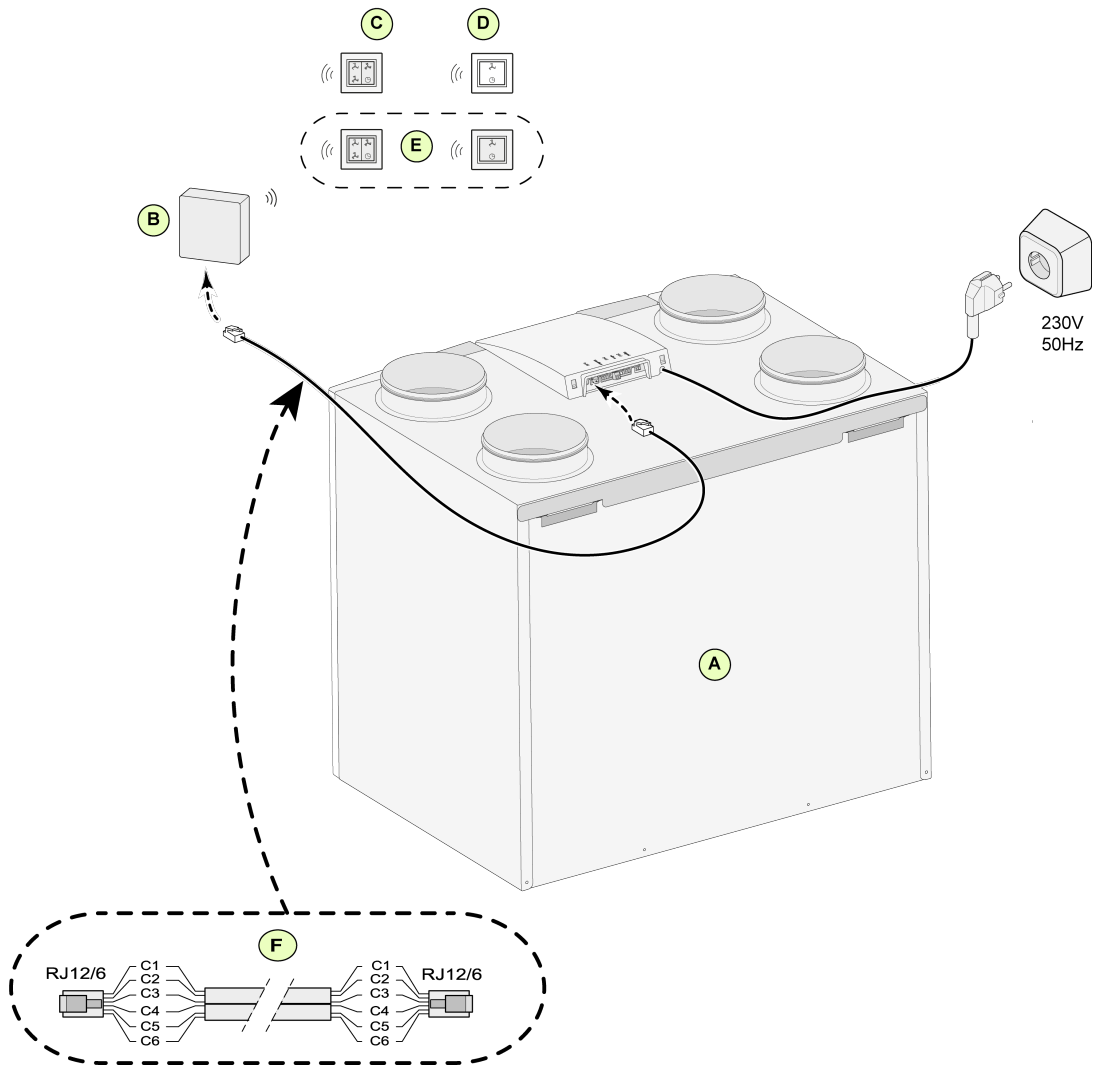


A = Flair appliance

B = 4-way switch with filter indication

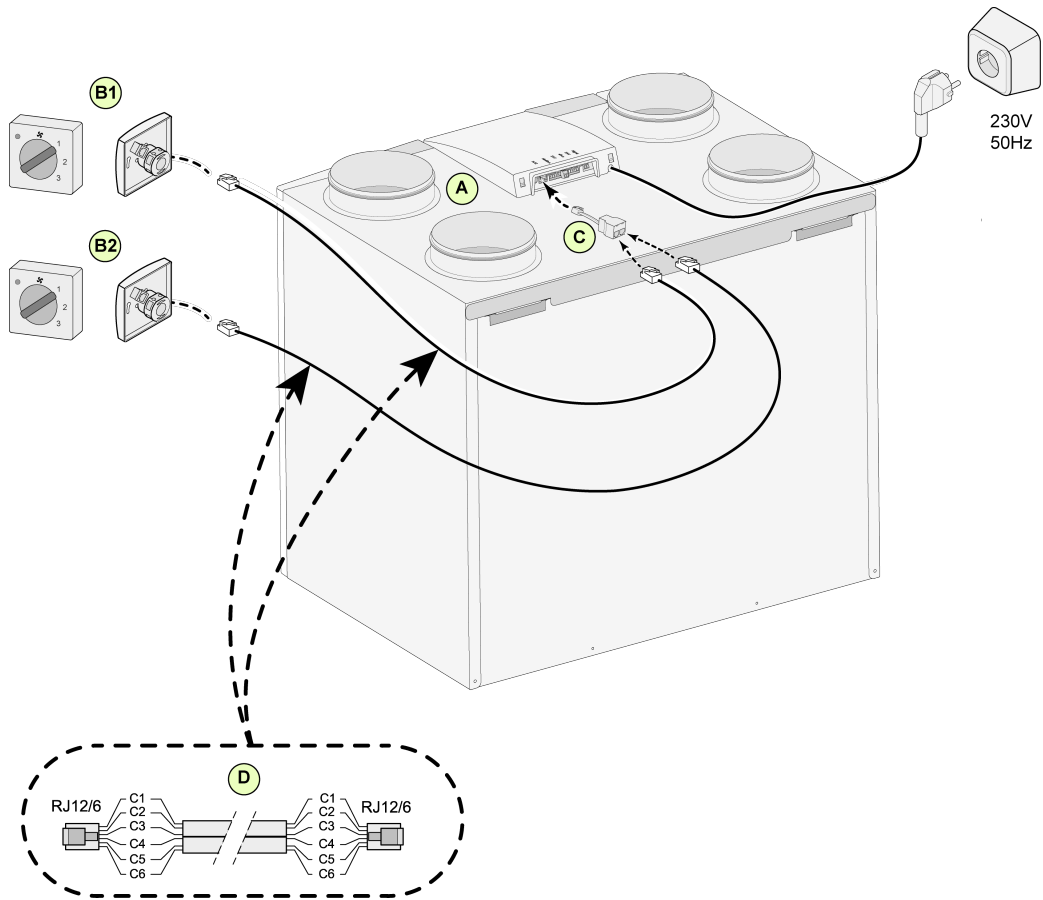
C = Modular cable: Note: For the modular cable that is used, the "tab" of both modular connectors must be mounted facing the mark on the modular cable. Wire colors C1 - C6 may vary dependent on the type of modular cable used.

11.1.2 Connecting wireless remote control (without filter indication)



- A = Flair appliance
- B = Receiver for wireless remote control
- C = Transmitter with 4 settings (for example kitchen)
- D = Transmitter with 2 settings (for example bathroom)
- E = Any additional 2- or 4-settings transmitters (maximum of 6 transmitters can be signed on to 1 receiver)
- F = Modular cable: Note: For the modular cable that is used, the "tab" of both modular connectors must be mounted facing the mark on the modular cable. Wire colors C1 - C6 may vary dependent on the type of modular cable used.

11.1.3 Connecting extra multiple switch with filter indication



A = Flair appliance

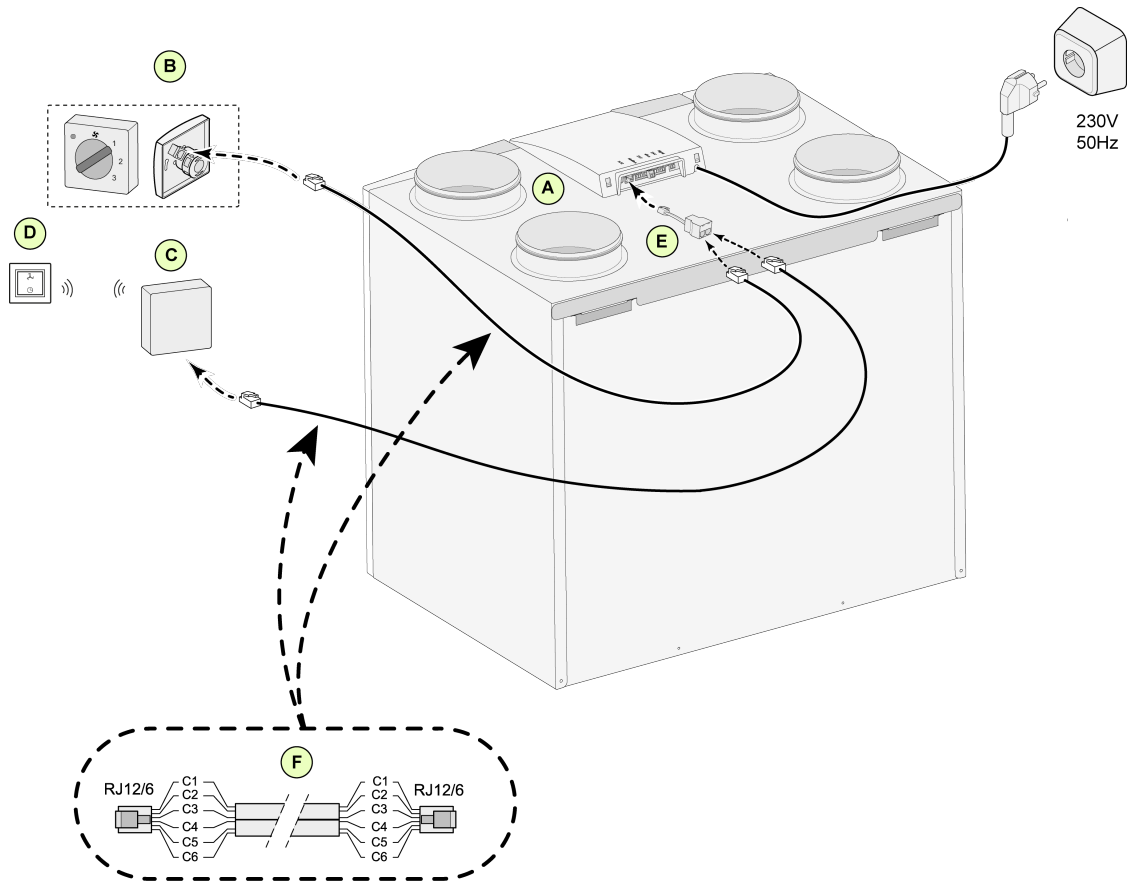
B1 = Multiple switch with filter indication

B2 = Extra multi switch with filter indication

C = Splitter

D = Modular cable: Note: For the modular cable that is used, the "tab" of both modular connectors must be mounted facing the mark on the modular cable. Wire colors C1 - C6 may vary dependent on the type of modular cable used.

11.1.4 Connecting extra multiple switch with filter indication



A = Flair appliance

B = Multiple switch with filter indication

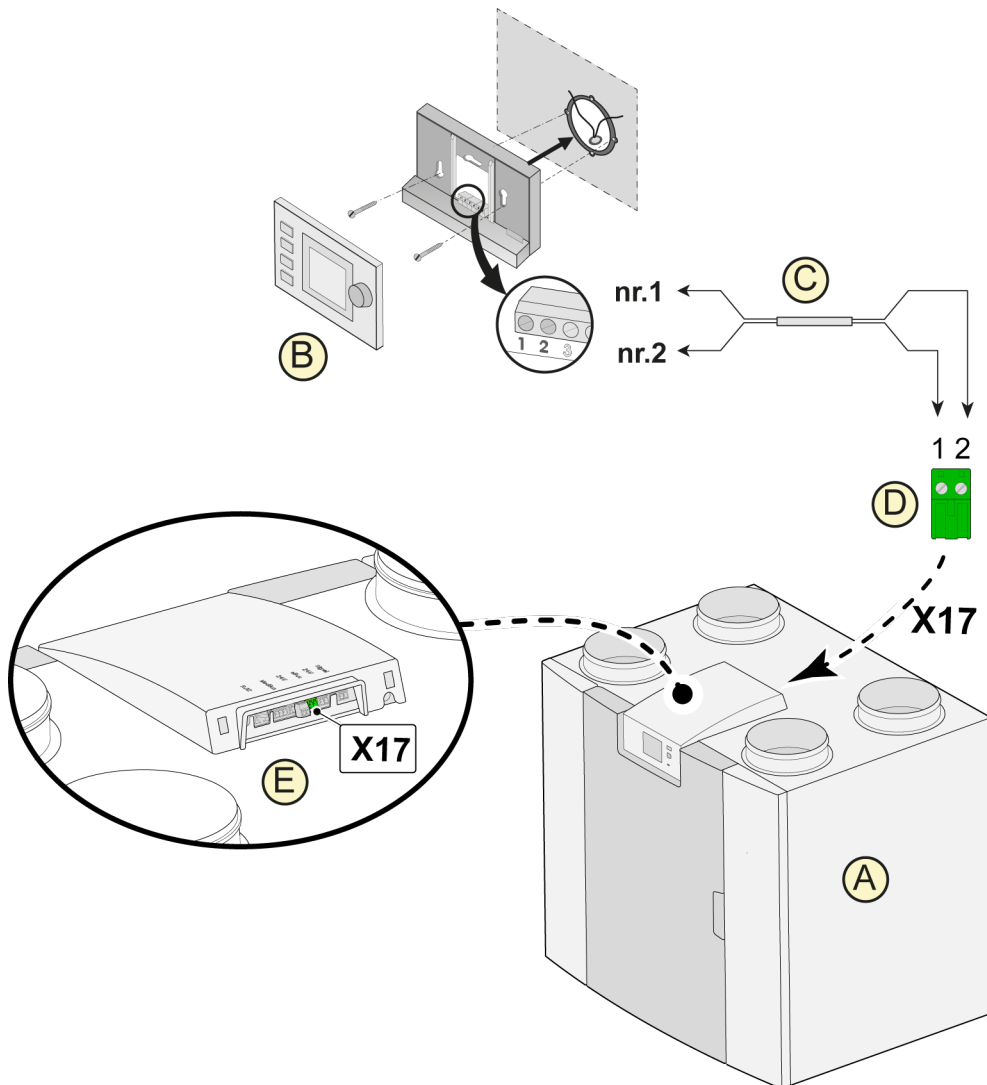
C = Receiver for wireless remote control

D = Transmitter with 2 settings

E = Splitter

F = Modular cable: Note: For the modular cable that is used, the "tab" of both modular connectors must be mounted facing the mark on the modular cable. Wire colors C1 - C6 may vary dependent on the type of modular cable used.

11.2 Connecting Air Control



A = Flair appliance

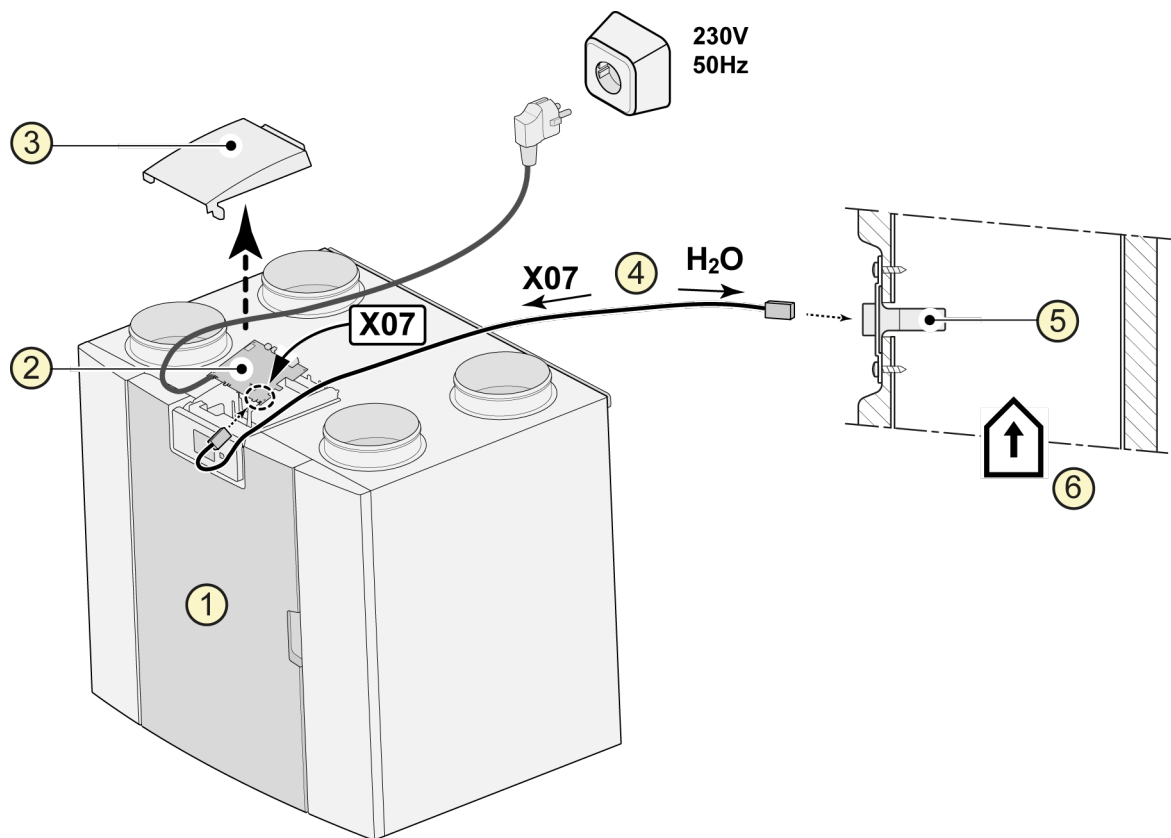
B = Air Control (option)

C = Two-core control cables

D = Green two-pole screw connector

E = Position green eBus connector to rear of control

11.3 Connecting humidity sensor



1 = Flair appliance

2 = Basis pcb

3 = Cover

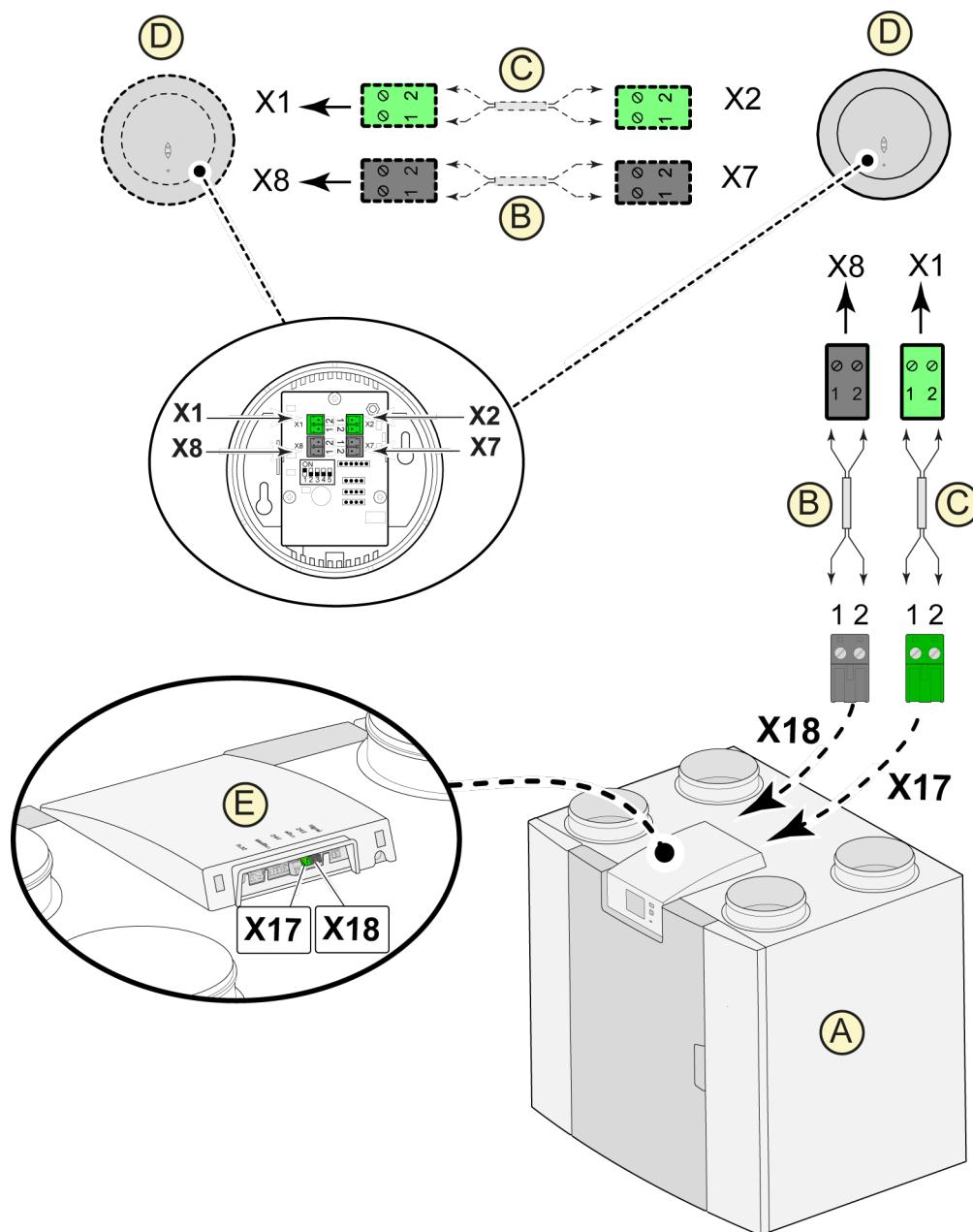
4 = The cable that comes with RH cable

5 = RH (humidity) sensor

6 = Duct from dwelling

To switch on and set the sensitivity of the humidity sensor, go to step number 7.1 and 7.2 in the settings menu.

11.4 Connecting CO₂ sensor(s)



A = Flair appliance

B = 2-pole control cable for 24V power supply (black connectors)

C = 2-core control cable for eBus connection (green connectors)

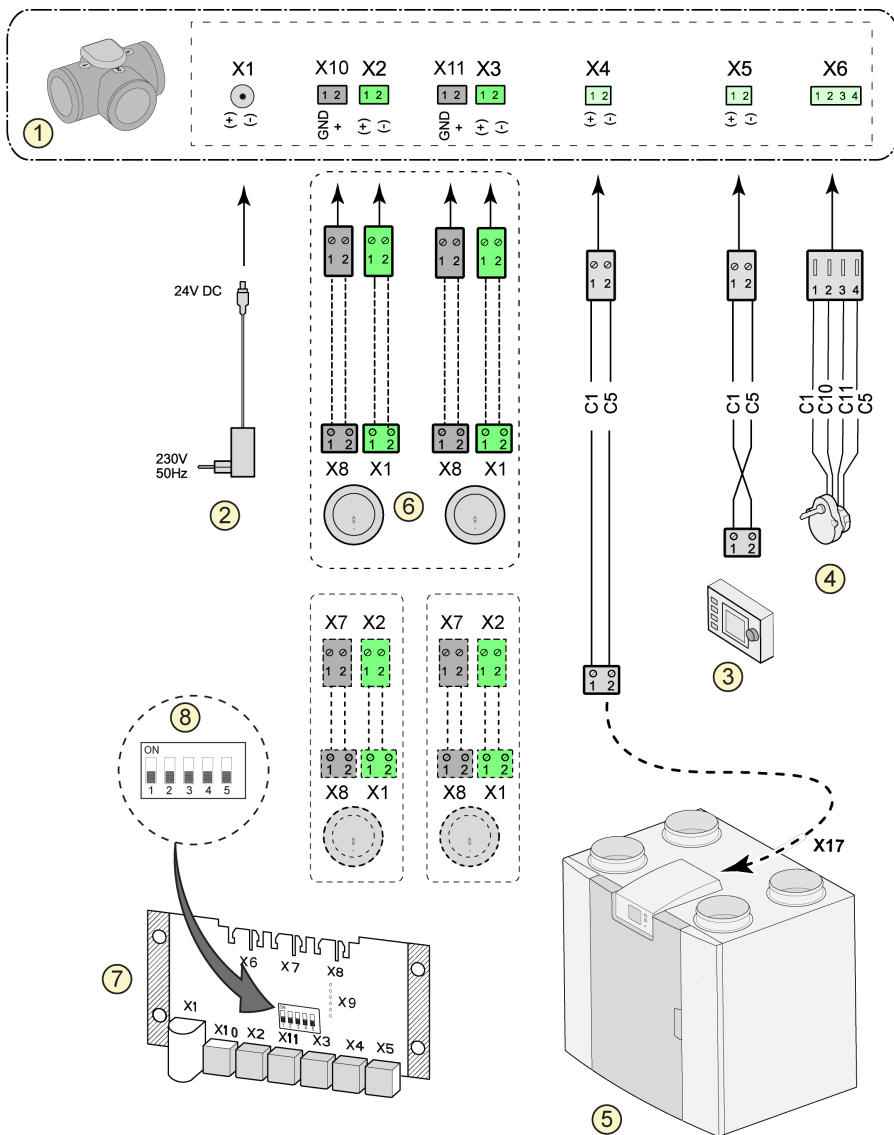
D = CO₂ sensor(s); connect a maximum of 4

E = Connection X17 (eBus) and X18 (24V) on Flair appliance

For switching the CO₂ sensor(s) on and off, select the right setting at step number 6.1 in the settings menu; in order to set the minimum and maximum PPM value of the CO₂ sensor(s) set, if necessary, the right values following step numbers 6.2 to 6.9.

11.5 Demand-driven ventilation 2.0

Demand-driven ventilation allows the ventilation need to be matched to the air quality. Matching the ventilation need with demand-driven ventilation can be done in two different ways, namely based on CO₂ measurements or based on a time program. Two different sets are available for this. Manual operation with the aid of an extra connected multiple switch of course remains a possibility as well. For further information regarding setting, operating and connecting demand-driven ventilation 2.0, refer to the installation instructions supplied with the demand-driven device.



- 1 = Zone valve demand-driven ventilation
- 2 = Power 24 VDC
- 3 = Brink Air Control
- 4 = Valve motor zone valve
- 5 = EBus connection X17 on Flair appliance
- 6 = CO₂-sensors (only applicable when demand-driven based on CO₂)
- 7 = Pcb demand-driven
- 8 = Dipswitch setting on pcb zone valve

12 Service

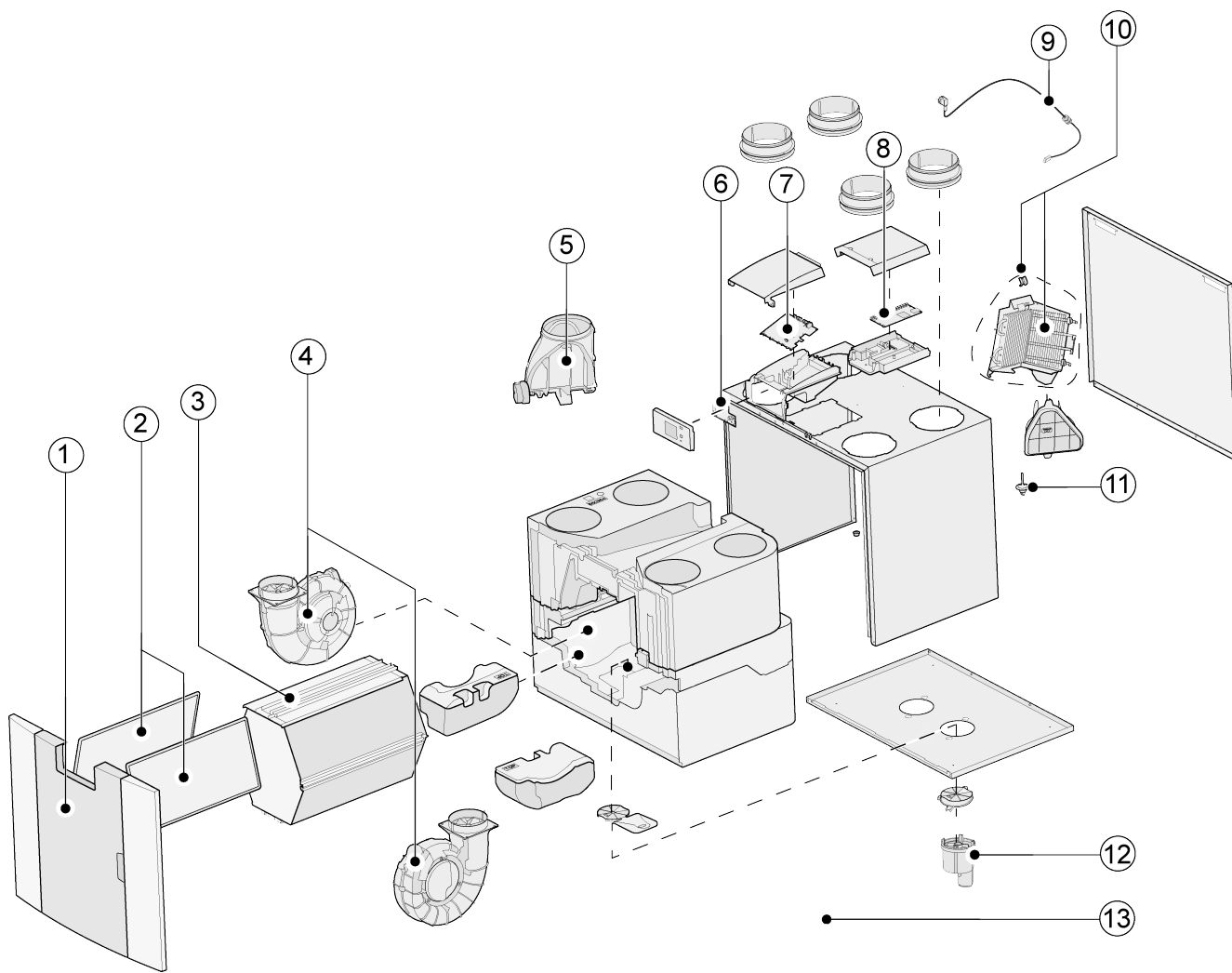
12.1 Exploded view

When ordering parts, in addition to the article code number (see exploded view), please state the heat recovery appliance type, the serial number, the year of production and the name of the part:

N.B.:Appliance type, serial number and year of production are stated on the identification plate behind the plastic front panel on the appliance.

Example	
Appliance type	Flair325 (Plus)
Serial number	430000184701
Year of production	2018
Part	Fan
Article code	532759
Quantity	1

12.2 Service articles



No.	Article description	Article code
1	Plastic front panel	532763
2	Filters (2 items) ISO Coarse 60%*	532716
3	Heat exchanger	532754
4	Fan (1 item)	532759
5	Bypass valve with motor complete	532760
6	Display pcb UBP-2	532752
7	Basic pcb UWA2-B	532750
8	Plus pcb UWA2-E (only applicable with Plus version)	532751
9	Mains plug and cable 230 V **	532756
10	Internal preheater incl. maximum security	532761
11	Temperature sensor NTC 10K	531775
12	Condensation discharge	532762
13	Cable set	532767

* It is also possible to order filters via <http://www.mijnbrink.nl>

** The power cable is fitted with a circuit board connector. When replacing it, always order a replacement mains cable from Brink.

To prevent dangerous situations, a damaged mains connection can only be replaced by a qualified expert.

13 Setting values

13.1 Setting values standard appliance

The below setting values are for a Flair-appliance **without** plus pcb.

Step No	Description	Factory settings	Setting range	Comment
1	Flow rate			
1.1	Air flow rate setting 0	50 m ³ /h	0 or adjustable between 50 m ³ /h and 325 m ³ /h (never higher than step no. 1.2)	
1.2	Air flow rate setting 1	100 m ³ /h	Adjustable between 50 m ³ /h and 325 m ³ /h (not higher than step no. 1.3 or lower than step no. 1.2)	
1.3	Air flow rate setting 2	150 m ³ /h	Adjustable between 50 m ³ /h and 325 m ³ /h (not higher than step no. 1.4 or lower than step no. 1.2)	
1.4	Air flow rate setting 3	250 m ³ /h	Adjustable between 50 m ³ /h and 325 m ³ /h (not lower than step no. 1.3)	
1.5	Imbalance permissible	Yes	Yes / No	
1.6	Imbalance (Open fireplace)	0%	0% – 20%	
1.7	Offset supply	0%	-15% / +15% fan setting	Value calculated back to set flow rate, see screen
1.8	Offset exhaust	0%	-15% / +15% fan setting	
1:19	Default fan setting	1	0 or 1	
2	Bypass			
2.1	Mode Bypass	Automatic	- Automatic - Bypass closed - Bypass open	
2.2	Bypass temperature "from dwelling"	22 °C	15 °C - 35 °C	
2.3	Bypass temperature "from outside"	10 °C	7 °C - 15 °C	
2.4	Bypass hysteresis	2 °C	0 °C - 5 °C	
2.5	Mode Bypass boost	OFF	ON/OFF	
2.6	Fan setting selection Bypass boost	3	0,1, 2 or 3	
3	Frost protection			
3.1	Frost temperature	0 °C	0 °C - 3 °C	
3.2	Minimum intake temperature	10 °C	7 °C - 22 °C	

Step No	Description	Factory settings	Setting range	Comment
4	Filter message			
4.1	Number of days until filter message	90	1 - 365 days	
4.2	Start of filter wizard	No	Yes / No	
4.3	Filter reset	No	Yes / No	
5	External heater			
5.1	Preheater on and off	off	ON/OFF	
5.2	Postheater on and off	off	ON/OFF	
5.3	Temperature postheater	21 °C	15 °C - 30 °C	
6	CO₂ sensor			
6.1	Switching eBus CO ₂ sensor off and on	OFF	ON/OFF	
6.2	Min. PPM eBus CO ₂ sensor 1	400 PPM	400 - 2000 PPM	
6.3	Max. PPM eBus CO ₂ sensor 1	1200 PPM		
6.4	Min. PPM eBus CO ₂ sensor 2	400 PPM		
6.5	Max. PPM eBus CO ₂ sensor 2	1200 PPM		
6.6	Min. PPM eBus CO ₂ sensor 3	400 PPM		
6.7	Max. PPM eBus CO ₂ sensor 3	1200 PPM		
6.8	Min. PPM eBus CO ₂ sensor 4	400 PPM		
6.9	Max. PPM eBus CO ₂ sensor 4	1200 PPM		
7	Humidity sensor			
7.1	Switching humidity sensor on and off	OFF	ON/OFF	
7.2	Sensitivity of humidity sensor	0	+2 = most sensitive 0 = basic setting -2 = least sensitive	
8	Cascade			
8.1	Appliance setting	0 (Master)	0 t/m 9 (0=Master; 1 t/m 9 = Slave 1 t/m Slave 9)	
12	Central heating + heat recovery			
12.1	Status	OFF	ON/OFF	
14	Communication			

Step No	Description	Factory settings	Setting range	Comment
14.1	Type of Bus connection	ModBus	OFF/ BrinkBus/ ModBus	
14.2	Slave address	20	1 - 247	For Modbus
14.3	Baudrate	19k2	1200/ 2400/ 4800/ 9600/ 19k2/ 38k4/56k/115k2	For Modbus
14.4	Parity	Even	No/ Even/ Odd	For Modbus
15	Appliance settings			
15.1	Language	English	English/German/French/Dutch	
15.2	Date format	dd-mm-yyyy	dd-mm-yyyy/ mm-dd-yyyy	
15.3	Date			
15.4	Time format	24	12/24	
15.5	Time			
15.6	Time zone	GMT +01:00	GMT -12:00 - GMT +12:00	
15.7	Summer time automatic ?	Yes	Yes / No	
15.8	Display	No	Yes / No	Display half an hour active as multiple switch; when "yes" is selected touchscreen permanently set as multiple switch
15.9	Back to factory settings	No	Yes / No	
15.10	Fan position wizard	No	Yes / No	
16	Signal output			
16.1	Signal output	OFF	OFF/ Only filter/ Filter/ Filter and filter condition	Connector X19
17	Standby			
17.1	Switch off appliance	No	Yes / No	

13.2 Setting values appliance with Plus pcb

The below setting values are for a Flair-appliance **with** Plus pcb.

Step No	Description	Factory settings	Setting range	Comment
9	Switch contacts			
9.1	Make or break contact 1	Make	Make / Break	
9.2	Switch contact control 1	OFF	OFF ON Meets Bypass conditions Open bypass valve Open external valve	
9.3	Contact 1 Supply fan action	Fan off	Fan off Fan runs at absolute minimum Fan at setting 1 Fan at setting 2 Fan at setting 3 Fan at step 0 Fan according to multiple switch Fan runs at absolute maximum No supply fan control	
9.4	Contact 1 Exhaust fan action	Fan off	Fan off Fan runs at absolute minimum Fan at setting 1 Fan at setting 2 Fan at setting 3 Fan at step 0 Fan according to multiple switch Fan runs at absolute maximum No exhaust fan control	
9.5	Make or break contact 2	Make	Make / Break	
9.6	Switch contact control 2	OFF	OFF ON Meets Bypass conditions Open bypass valve Open external valve	
9.7	Contact 2 Supply fan action	Fan off	Fan off Fan runs at absolute minimum Fan at setting 1 Fan at setting 2 Fan at setting 3 Fan at step 0 Fan according to multiple switch Fan runs at absolute maximum No supply fan control	

Step No	Description	Factory settings	Setting range	Comment
9.8	Contact 2 Exhaust fan action	Fan off	Fan off Fan runs at absolute minimum Fan at setting 1 Fan at setting 2 Fan at setting 3 Fan at step 0 Fan according to multiple switch Fan runs at absolute maximum No exhaust fan control	
10	0 - 10 V.			
10.1	Mode input 1	OFF	ON/OFF	
10.2	0-10V minimum voltage input 1	0V	0V - 10V	Connector X-14
10.3	0-10V maximum voltage input 1	10V	0V - 10V	
10.4	Mode input 2	OFF	ON/OFF	
10.5	0-10V minimum voltage input 2	0V	0V - 10V	Connector X-15
10.6	0-10V maximum voltage input 2	10V	0V - 10V	
11	Geo-heat exchanger			
11.1	Switching on and off	OFF	ON/OFF	
11.2	Switch temperature 1	5 °C	0.0 °C - 10.0 °C	
11.3	Switch temperature 2	25 °C	15.0°C - 40.0 °C	
11.4	Mode valve 10 volt control	Open	Open / Closed	
11.5	Valve control	Relay output 1	Relay output 1/Relay output 2/ Analogue output 1/Analogue output 2	
13	Network			
13.1	Wlan/LAN	Wireless	Wireless/ Wired	
13.2	SSID	OFF		Max. 32 characters
13.3	Password			Max. 63 characters
13.4	IP address	192.168.1.100		
13.5	Gateway	192.168.1.1		
13.6	Subnetwork mask	255.255.255.0		
13.7	DHCP	ON	ON/OFF	
13.8	DNS	Automatic	Manual / Automatic	
13.9	DNS server 1	0.0.0.0		
13:10	DNS server 2	0.0.0.0		

14 ModBus settings

14.1 External ModBus - Input registers

Setting values				
	ModBus address	Description	Data	Comments
Function code 0x04	4004	Appliance Type	Range: 0 – 65535 type: Unsigned	Internal appliance number; does not have external value
	4010	Serial number (for example 123456789012)	numbers serial number [0–3]	numbers in BCD, range [0..9]
	4011		numbers serial number [4–7]	
	4012		numbers serial number [8–11]	
	4023	current supply pressure	Range: 0-5000 type: Signed	The value is a value in tenths of Pascal; it therefore has to be divided by 10 in order to get the pressure in Pascal.
	4024	current exhaust pressure		
	4031	setpoint supply air	Range: 0 – 65535 type: Unsigned	This is the desired value for the relevant fan. [m ³ /h]
	4032	current value of supply air		This is the value that is measured or calculated for the relevant fan. [m ³ /h]
	4036	temperature sensor supply fan	Range: -32768 – 32767 type: Signed	The effective range is much smaller. The value is a value in tenths of degrees; it therefore has to be divided by 10 in order to get the temperature in degrees Celsius.
	4041	setpoint flow exhaust air	Range: 0 – 65535 type: Unsigned	This is the desired value for the relevant fan. [m ³ /h]
	4042	current value flow exhaust air		This is the value that is measured or calculated for the relevant fan. [m ³ /h]
	4046	temperature sensor exhaust fan	Range: -32768 – 32767 Type: Signed	The effective range is much smaller. The value is a value in tenths of degrees; it therefore has to be divided by 10 in order to get the temperature in degrees Celsius.
	4050	Bypass status	0: initialize / 1: open / 2: close / 3: open / 4: closed / 255: error	
	4060	Status preheater	0: Initialize / 1: Inactive / 2: Active / 3: Test mode	
	4061	Capacity of preheater	Range: 0 - 100 type: Unsigned	The capacity is a percentage of the maximum capacity.
	4081	Temperature NTC1	Range: - 32768 – 32767 type: Signed	The effective range is much smaller. The value is a value in tenths of degrees; it therefore has to be divided by 10 in order to get the temperature in degrees Celsius.
	4100	Status filter	0: not dirty 1: dirty	
	4201	Value CO ₂ sensor 1	Range: 0-65535 type: Unsigned	
	4203	Value CO ₂ sensor 2		
	4205	Value CO ₂ sensor 3		
4207	Value CO ₂ sensor 4			

14.2 External ModBus - Holding registers

Setting values				
	ModBus address	Description	Data	Comments
Function code 0x03/0x06	6033	Imbalance permitted	0: Imbalance not permitted 1: imbalance permitted Type: unsigned	
	6035	Offset imbalance supply	Minimum: -15 Maximum: 15 Default: 0 Step size: 1 Type: signed	Value is in percentages; 0% means that no correction has been applied
	6036	Offset imbalance exhaust		
	6100	Bypass mode	0: Automatic 1: Bypass closed 2: Bypass open	Default: 0
	6150	CO ₂ sensor mode	0: OFF 1: ON Type: unsigned	Default: OFF
	6240	Geo-heat exchanger	0: exchanger OFF 1: exchanger ON Default: 0 Type: unsigned	Only possible with Plus pcb UWA2-B
	6241	Minimum temperature geo-heat exchanger	Minimum: 0 Maximum: 100 Default: 50 Type: signed	Value is in tenths of degrees Celsius. Range is : 0.0 - 10.0 ° C
	6242	Maximum temperature geo-heat exchanger	Minimum: 150 Maximum: 400 Default: 250 Type: signed	Value is in tenths of degrees Celsius. Range is: 15.0 - 40.0 °C
	7991	Modbus slave address	Minimum: 1 Maximum: 247 Type: unsigned	Default: 20

14.3 External ModBus - Remote control registers

Setting values					
	ModBus address	Description	Write data	Read data	Comments
Function code 0x03/0x06	8000	ModBus control switched on	0: ModBus control switched off 1: ModBus control switch 2: ModBus control flow rate value	0: ModBus control switched off 1: ModBus control switch 2: ModBus control flow rate value	Standard: 0 The reading value is the last accepted value
	8001	Proposed change in switch position	0: holiday 1: low 2: normal 3: high	0: holiday 1: low 2: normal 3: high	Set the desired air flow rate; Set ModBus control setting to 1 (switch) The reading value is the last accepted value
	8002	Desired flow rate setting	Flair 325 (Plus): 0; 50 - 325	Flair 325 (Plus): 0; 50 - 325	Set desired Modbus flow rate ModBus control must be set to 2 (flow rate value)
	8010	Reset filter warning	0: No reset 1: Reset filter warning	0: No action 1: Reset filter warning carried out 0xFF: Action failed. Reset cannot be carried out	Reset filter warning Once the value has been read out and this is not equal to "0" this will be reset to "0".
	8011	Appliance reset	0: No reset 1: Appliance reset	0: No reset 1: Appliance reset carried out 0xFF: Action failed; reset cannot be carried out	Appliance reset Once the value has been read out and this is not equal to "0" this will be reset to "0".

15 Conformity declaration

Conformity declaration

Manufacturer: Brink Climate Systems B.V.

Address: Postbus 11
NL-7950 AA, Staphorst, The Netherlands

Product: Heat recovery appliance type:
Flair 325
Flair 325 Plus

The product described above complies with the following directives:

- ◆ 2014/35/EU (low voltage directive)
- ◆ 2014/30/EU (EMC directive)
- ◆ RoHS 2011/65/EU (substances directive)
- ◆ 2009/125/EG (1253/1254 EU (EU ErP directive))

The product bears the CE label:



Staphorst, 24-11-2017

A handwritten signature in black ink, appearing to be 'W. Hijmissen', written over a horizontal line.

W. Hijmissen
Managing Director

16 ERP values

Technical information sheet Flair 325 (Plus) (Plus) in accordance with Ecodesign (ErP), no. 1254/2014 (Annex IV)					
Manufacturer:		Brink Climate Systems B.V.			
Model:		Flair 325 (Plus) (Plus)			
Climate zone	Type of control	SEC Value in kWh/m ² /a	SEC Class	Annual electricity consumption (AEC) in kWh	Annual heating saved (AHS) in kWh
Average	Manual	-40.99	A	233	4560
	clock control	-41.59	A	224	4574
	1x sensor (RV/CO ₂ /VOC)	-42.72	A+	205	4603
	2 or more sensors (RV/CO ₂ /VOC)	-44.71	A+	167	4659
Cold	manual	-85.11	A+	770	6960
	clock control	-85.85	A+	761	6982
	1x sensor (RV/CO ₂ /VOC)	-87.25	A+	742	7025
	2 or more sensors (RV/CO ₂ /VOC)	-89.79	A+	704	7112
Hot	manual	-15.72	E	188	2400
	clock control	-16.24	E	179	2408
	1x sensor (RV/CO ₂ /VOC)	-17.21	E	160	2422
	2 or more sensors (RV/CO ₂ /VOC)	-18.88	E	122	2452
Type of ventilation unit:		Balanced residential ventilation appliance with heat recovery			
Fan:		EC - fan with infinitely variable control			
Type of heat exchanger:		Recuperative plastic cross-counterflow heat exchanger			
Thermal efficiency		91%			
Maximum flow rate:		325m ³ /h			
Maximum rated power:		144.5 W			
Sound power level Lwa:		41 dB(A)			
Reference flow rate:		228m ³ /h			
Reference pressure:		50Pa			
Specific Power Input (SEL):		0.15 W/m ³ /h			
Control factor:		1.0 in combination with multiple switch			
		0.95 in combination with clock control			
		0.85 in combination with 1 sensor			
		0.65 in combination with 2 or more sensors			
Leakage*	Internal	1.2%			
	External	0.9%			
Position dirty filter indication:		On the display of the appliance / on the multiple switch (LED) / on the Brink Air Control. Attention! For optimal energy efficiency and a proper operation, a regular filter inspection, cleaning or replacement is necessary.			
Internet address for Assembly instructions:		http://www.brinkclimatesystems.nl/nl-nl/professionals			
Bypass:		Yes, 100% Bypass			

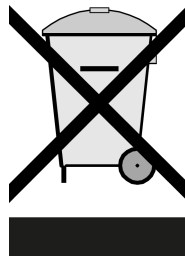
* Measurements executed by TZWL according to the EN 13141-7 standard

Classification from 1 January 2016	
SEC class ("Average climate zone")	SEC in kWh/m ² /a
A+ (Most efficient)	SEC < -42
A	-42 ≤ SEC < -34
B	-34 ≤ SEC < -26
C	-26 ≤ SEC < -23
D	-23 ≤ SEC < -20
G (Least efficient)	-20 ≤ SEC < -10

17 Recycling

Recycling

Sustainable materials are used in the manufacture of this appliance. The packaging should be disposed of in a responsible manner and in accordance with governmental regulations.





Brink Climate Systems BV
P.O. Box 11 NL-7950AA Staphorst
T +31 (0) 522 46 99 44

E info@brinkclimatesystems.com
www.brinkclimatesystems.com
www.brinkairforlife.com